

100'

100'



- 01_**
 - 1.1 Exhibition space
 - 1.2 interactive exhibition space
 - 1.3 Lobby
 - 1.4 Rotating spatial installations
 - 1.5 Nine standard movie screens
 - 1.6 One Imax screen
 - 1.7 Flex space and performance hall
 - 1.8 Co-working and shared office space
- 02_**
 - 2.1 Transitional circulation
 - 2.2 Urgent care
 - 2.3 Social services
 - 2.4 Hallway galleries and ongoing interactive exhibitions
 - 2.5 Breezeway/Bridge
- 03_**
 - 3.1 General Retail
 - 3.2 Café
 - 3.3 Restaurant
 - 3.4 Bar and Lounge
 - 3.5 Rooftop park
 - 3.6 Non-Profit oriented office spaces
 - 3.7 Small offices
 - 3.8 Restrooms
- 04_**
 - 4.1 Single rooms (boutique)
 - 4.2 Double rooms (boutique)
 - 4.3 Single rooms (transitory)
 - 4.4 Collective amenities
 - 4.5 Indoor/Outdoor gathering space
 - 4.6 Lobby and café
 - 4.7 Rooftop plaza
- 05_**
 - 5.1 Micro unit housing
 - 5.2 Micro unit common kitchen, dining, living, bath
 - 5.3 Market rate
 - 5.3.0 Studio units
 - 5.3.1 1 BDRM units
 - 5.3.2 2 BDRM units
 - 5.3.3 3 BDRM units
 - 5.4 Fixed-rate
 - 5.4.0 Studio units
 - 5.4.1 1 BDRM units
 - 5.4.2 2 BDRM units
 - 5.4.3 3 BDRM units
 - 5.5 Transitional
 - 5.5.0 Studio units
 - 5.5.1 1 BDRM units
 - 5.5.2 2 BDRM units
 - 5.5.3 3 BDRM units
 - 5.6 Group facilities
 - 5.7 Transitional resources
- 06_**
 - 6.1 Musical Performance space
 - 6.2 Theatre Lobby
 - 6.3 Rigging and staging
 - 6.4 Prop and instrument storage
 - 6.5 Mezzanine
 - 6.6 Wing seating
- 07_**
 - 7.1 Primary residential circulation
 - 7.2 Vertical Circulation
 - 7.3 Collective utilities (clothes drying, gardening)
 - 7.4 Light well/vertical corridor
 - 4.5 Indoor/Outdoor gathering space

SITE PLAN

On Scale

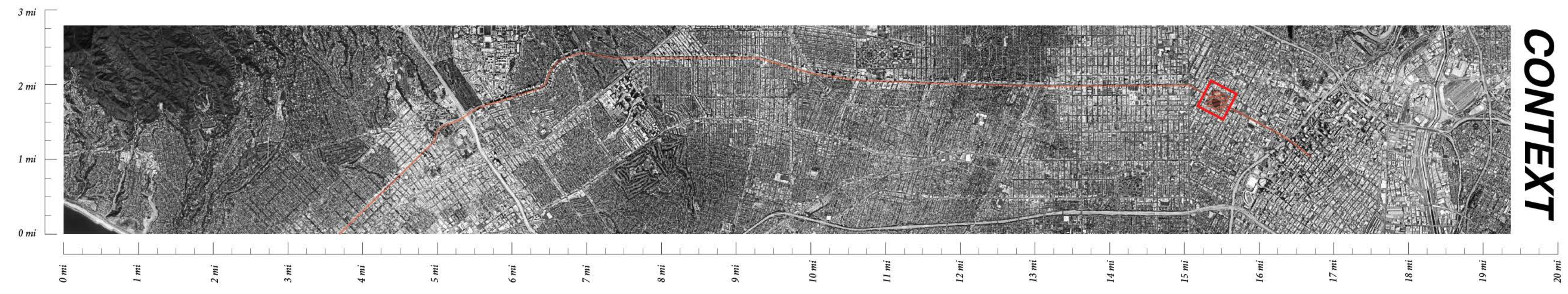
The building attempts to address the scale of the context. Rather than impose a structure fifty plus percent taller than any of its surroundings, the bar arrangement allows the building more of a nesting effect in its context. The success of the approach is up to the beholder.

On Site

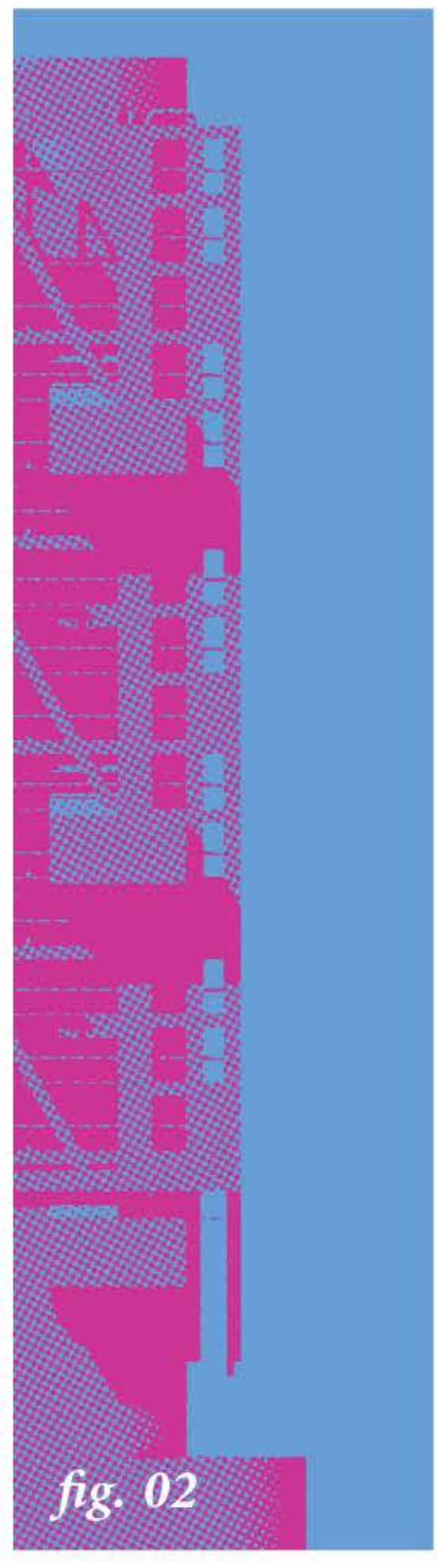
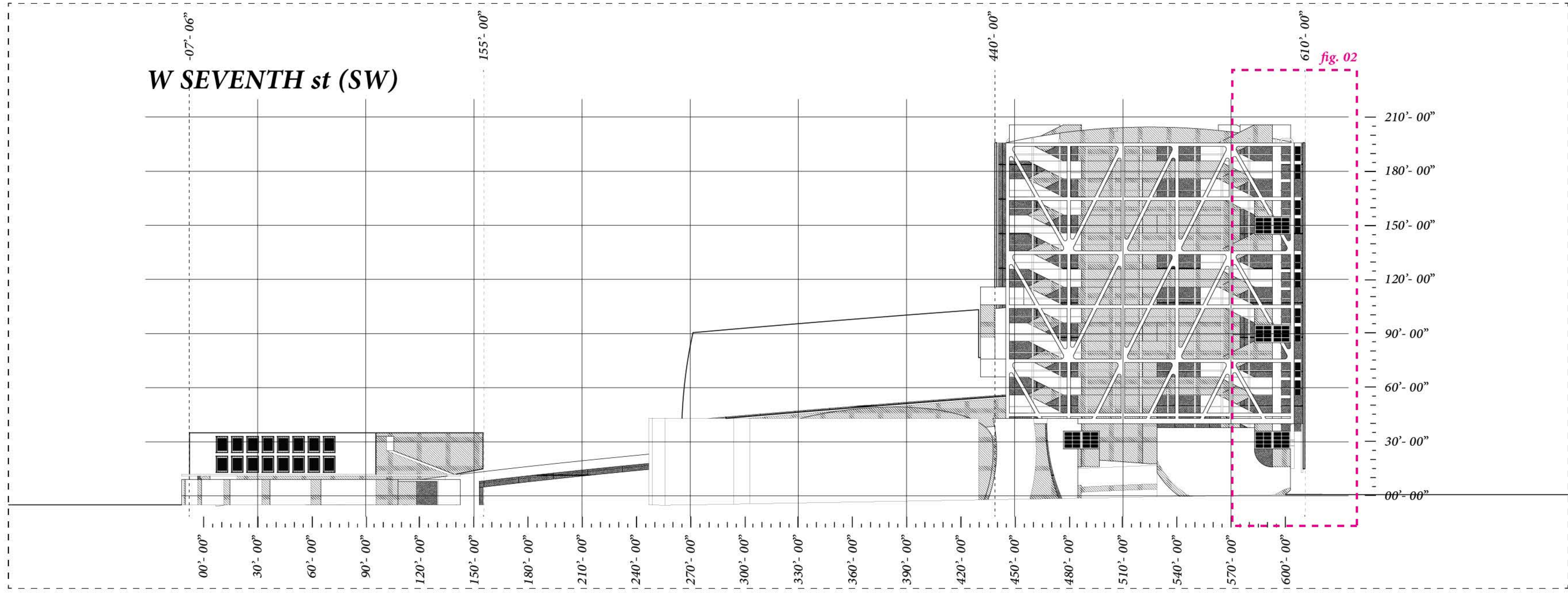
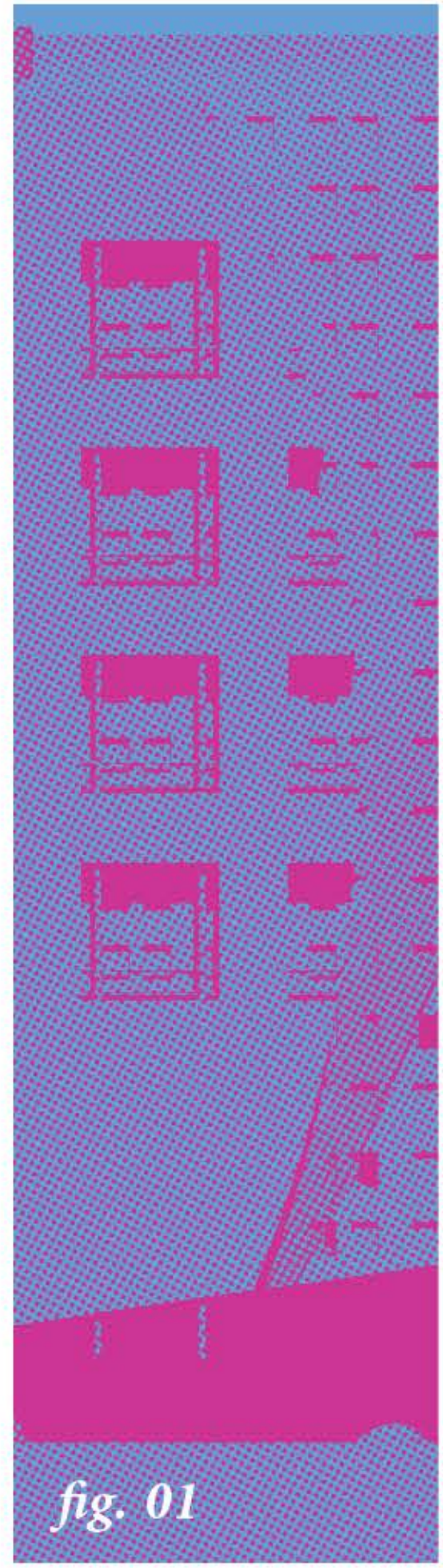
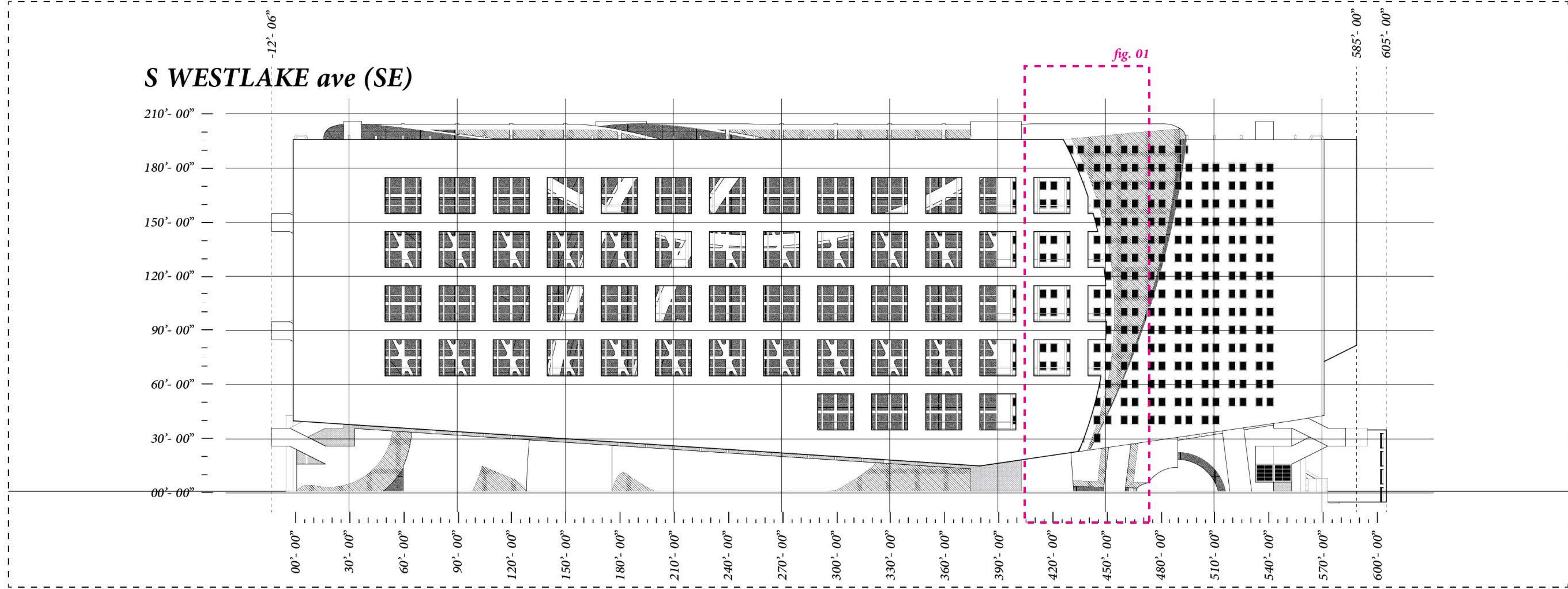
This proposal makes the concession that MacArthur Park has served as a home for many people, and the scope of this project, no matter how ambitious, will fall short of providing for many area locals experiencing homelessness. As an attempt at addressing this issue pragmatically, the project extends a set of facilities including personal storage, dining, laundry, and amenities.

In tandem with this treatment of the park, I am proposing a reduction of through traffic along Alvarado to buses, pedestrians, and cyclists. Narrowing the street to two lanes of bus traffic with auxillary bike lanes will allow existing street vendors with an expanded plaza and more pedestrian friendly space. Additionally, the nature of this project as transit oriented affordable housing makes it a prime candidate for reduced car access. For existing traffic, Alvarado serves primarily as a feeder into the primary east west corridor of Wilshire Boulevard, and, as such, is not an obvious choke point.

CONTEXT



- 01_**
- 1.1 Exhibition space
- 1.2 Interactive exhibition space
- 1.3 Lobby
- 1.4 Rotating spatial installations
- 1.5 Nine standard movie screens
- 1.6 One Imax screen
- 1.7 Flex space and performance hall
- 1.8 Co-working and shared office space
- 02_**
- 2.1 Transitional circulation
- 2.2 Urgent care
- 2.3 Social services
- 2.4 Hallway galleries and ongoing interactive exhibitions
- 2.5 Breezeway/Bridge
- 03_**
- 3.1 General Retail
- 3.2 Café
- 3.3 Restaurant
- 3.4 Bar and Lounge
- 3.5 Rooftop park
- 3.6 Non-Profit oriented office spaces
- 3.7 Small offices
- 3.8 Restrooms
- 04_**
- 4.1 Single rooms (boutique)
- 4.2 Double rooms (boutique)
- 4.3 Single rooms (transitory)
- 4.4 Collective amenities
- 4.5 Indoor/Outdoor gathering space
- 4.6 Lobby and café
- 4.7 Rooftop plaza
- 05_**
- 5.1 Micro unit housing
- 5.2 Micro unit common kitchen, dining, living, bath
- 5.3 Market rate
- 5.3.0 Studio units
- 5.3.1 1 BDRM units
- 5.3.2 2 BDRM units
- 5.3.3 3 BDRM units
- 5.4 Fixed-rate
- 5.4.0 Studio units
- 5.4.1 1 BDRM units
- 5.4.2 2 BDRM units
- 5.4.3 3 BDRM units
- 5.5 Transitional
- 5.5.0 Studio units
- 5.5.1 1 BDRM units
- 5.5.2 2 BDRM units
- 5.5.3 3 BDRM units
- 5.6 Group facilities
- 5.7 Transitional resources
- 06_**
- 6.1 Musical Performance space
- 6.2 Theatre Lobby
- 6.3 Rigging and staging
- 6.4 Prop and instrument storage
- 6.5 Mezzanine
- 6.6 Wing seating
- 07_**
- 7.1 Primary residential circulation
- 7.2 Vertical Circulation
- 7.3 Collective utilities (clothes drying, gardening)
- 7.4 Light well/vertical corridor
- 4.5 Indoor/Outdoor gathering space



- 01_**
- 1.1 Exhibition space
- 1.2 interactive exhibition space
- 1.3 Lobby
- 1.4 Rotating spatial installations
- 1.5 Nine standard movie screens
- 1.6 One Imax screen
- 1.7 Flex space and performance hall
- 1.8 Co-working and shared office space
- 02_**
- 2.1 Transitional circulation
- 2.2 Urgent care
- 2.3 Social services
- 2.4 Hallway galleries and ongoing interactive exhibitions
- 2.5 Breezeway/Bridge
- 03_**
- 3.1 General Retail
- 3.2 Café
- 3.3 Restaurant
- 3.4 Bar and Lounge
- 3.5 Rooftop park
- 3.6 Non-Profit oriented office spaces
- 3.7 Small offices
- 3.8 Restrooms
- 04_**
- 4.1 Single rooms (boutique)
- 4.2 Double rooms (boutique)
- 4.3 Single rooms (transitory)
- 4.4 Collective amenities
- 4.5 Indoor/Outdoor gathering space
- 4.6 Lobby and café
- 4.7 Rooftop plaza
- 05_**
- 5.1 Micro unit housing
- 5.2 Micro unit common kitchen, dining, living, bath
- 5.3 Market rate
- 5.3.0 Studio units
- 5.3.1 1 BDRM units
- 5.3.2 2 BDRM units
- 5.3.3 3 BDRM units
- 5.4 Fixed-rate
- 5.4.0 Studio units
- 5.4.1 1 BDRM units
- 5.4.2 2 BDRM units
- 5.4.3 3 BDRM units
- 5.5 Transitional
- 5.5.0 Studio units
- 5.5.1 1 BDRM units
- 5.5.2 2 BDRM units
- 5.5.3 3 BDRM units
- 5.6 Group facilities
- 5.7 Transitional resources
- 06_**
- 6.1 Musical Performance space
- 6.2 Theatre Lobby
- 6.3 Rigging and staging
- 6.4 Prop and instrument storage
- 6.5 Mezzanine
- 6.6 Wing seating
- 07_**
- 7.1 Primary residential circulation
- 7.2 Vertical Circulation
- 7.3 Collective utilities (clothes drying, gardening)
- 7.4 Light well/vertical corridor
- 4.5 Indoor/Outdoor gathering space

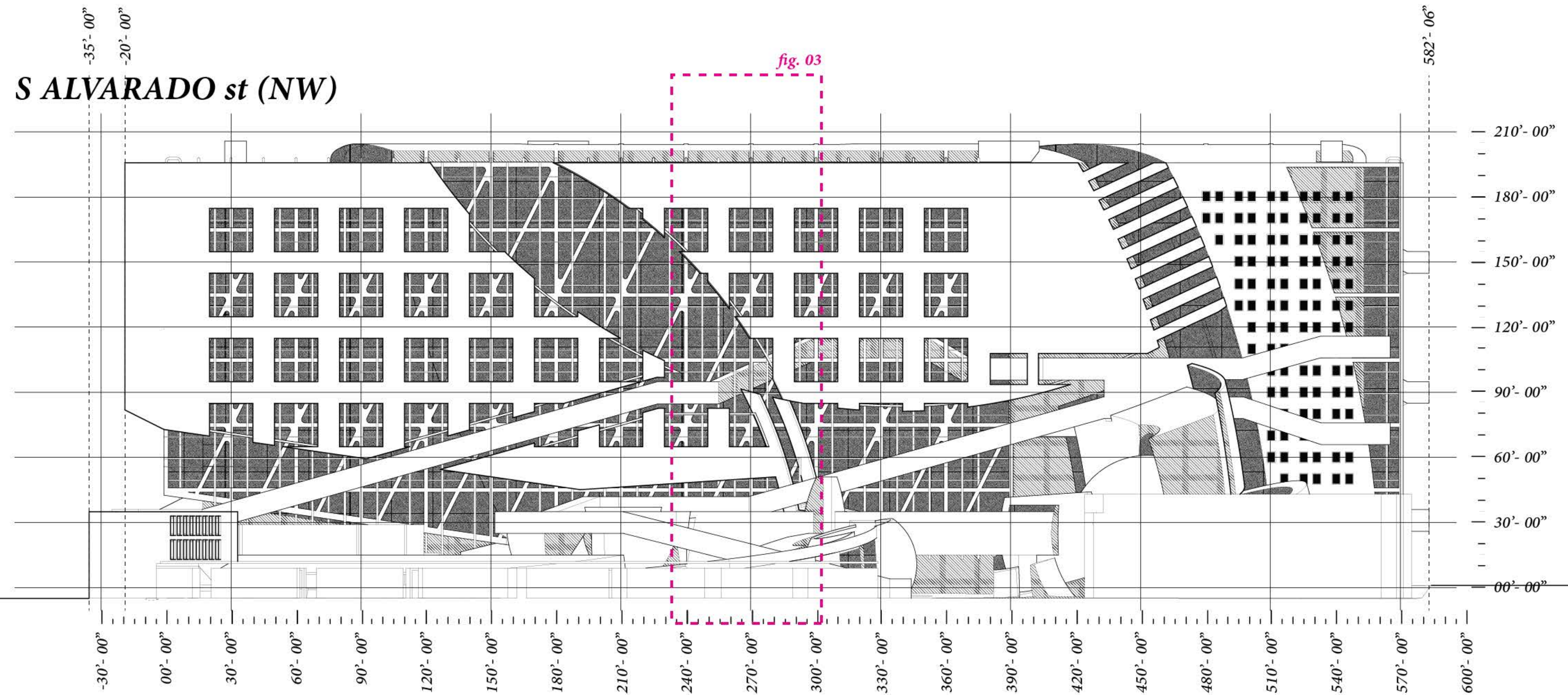


fig. 03

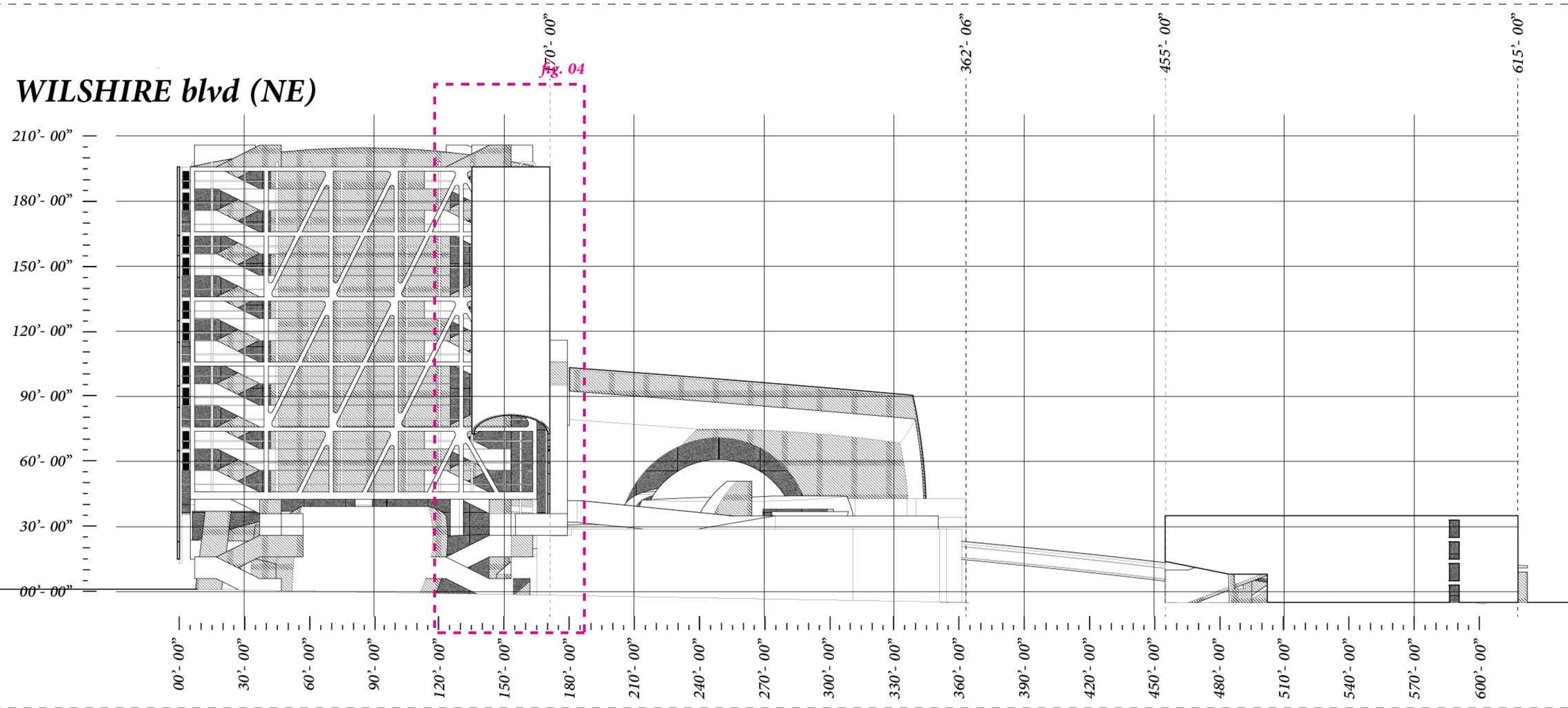
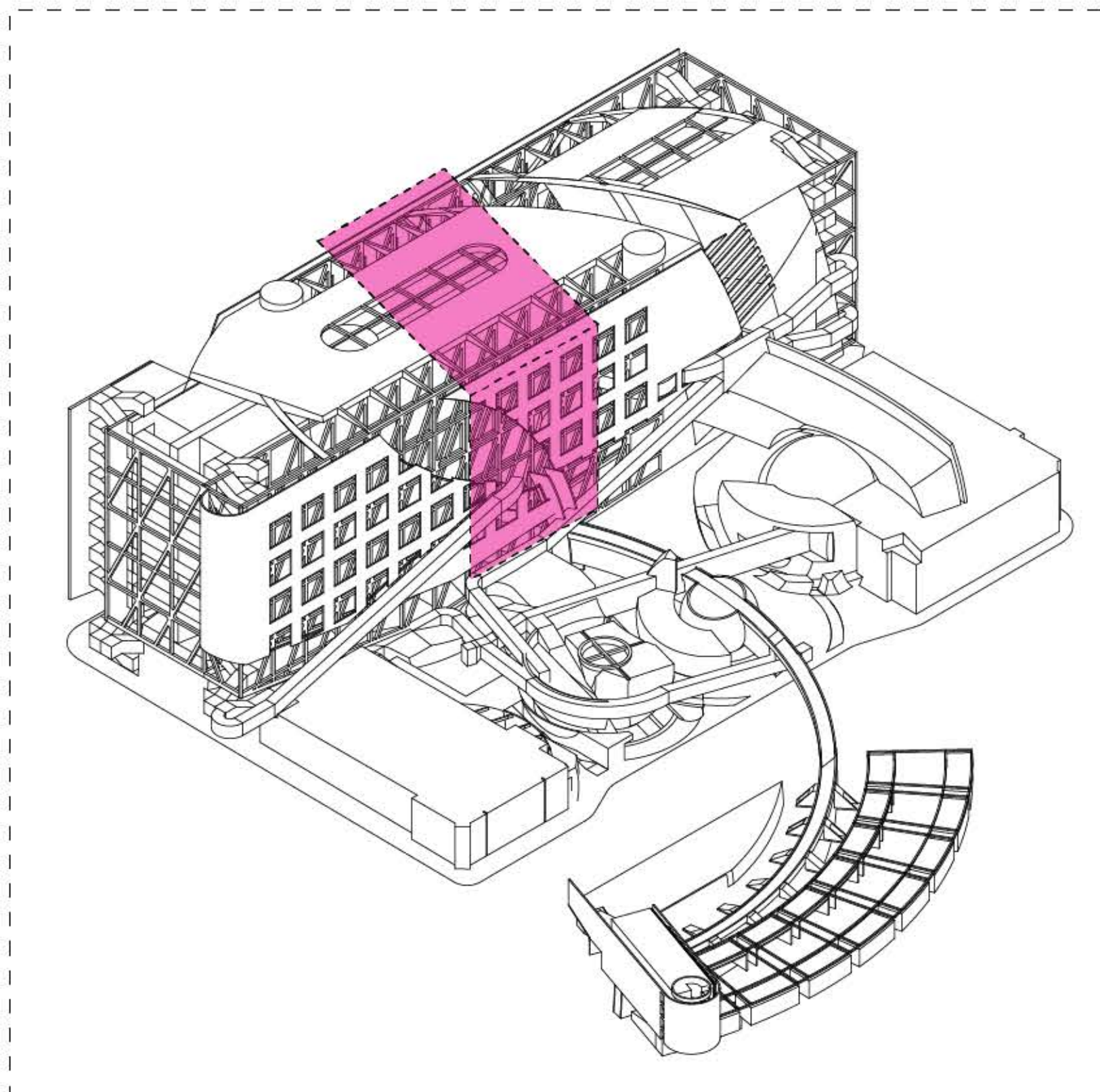
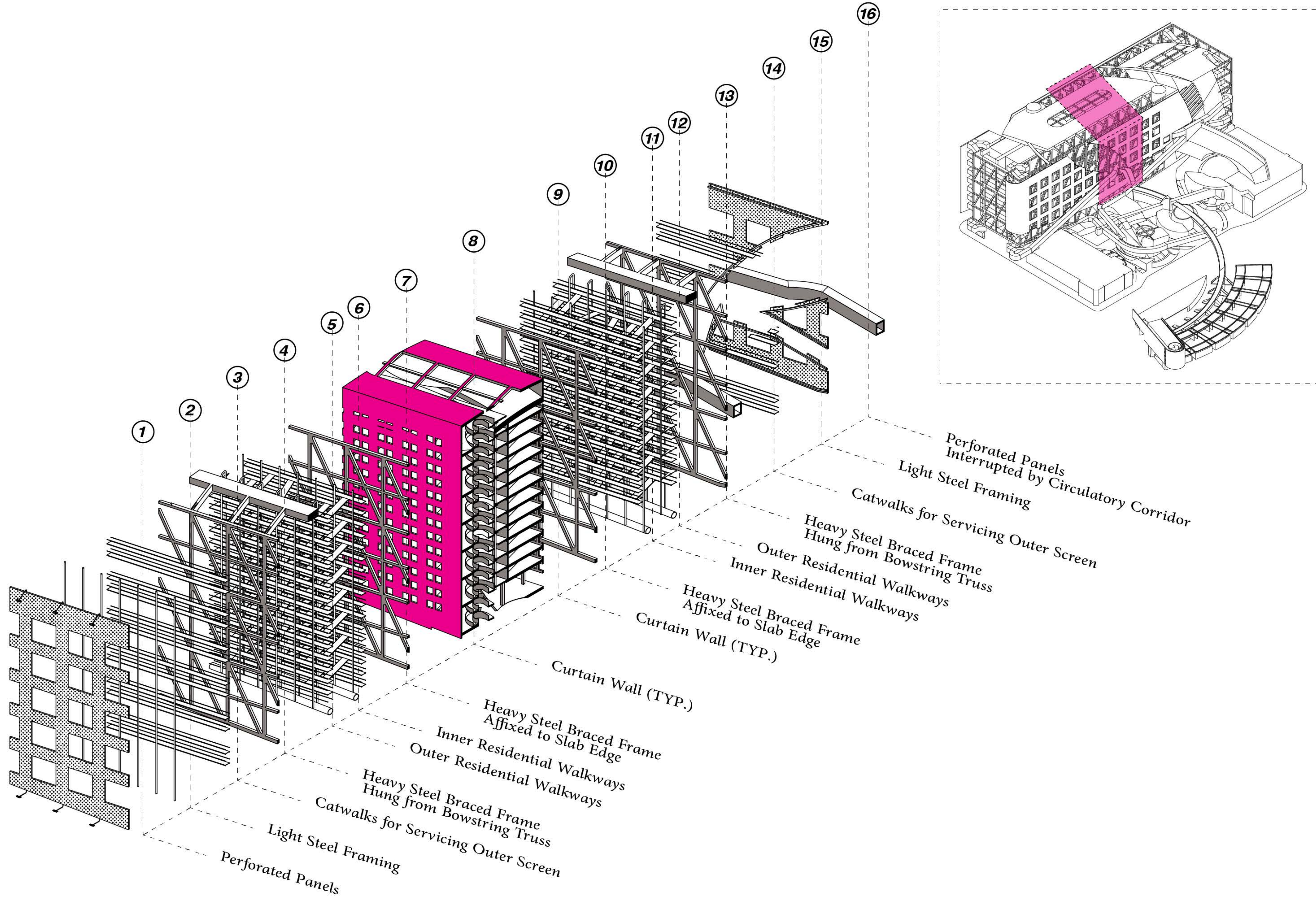
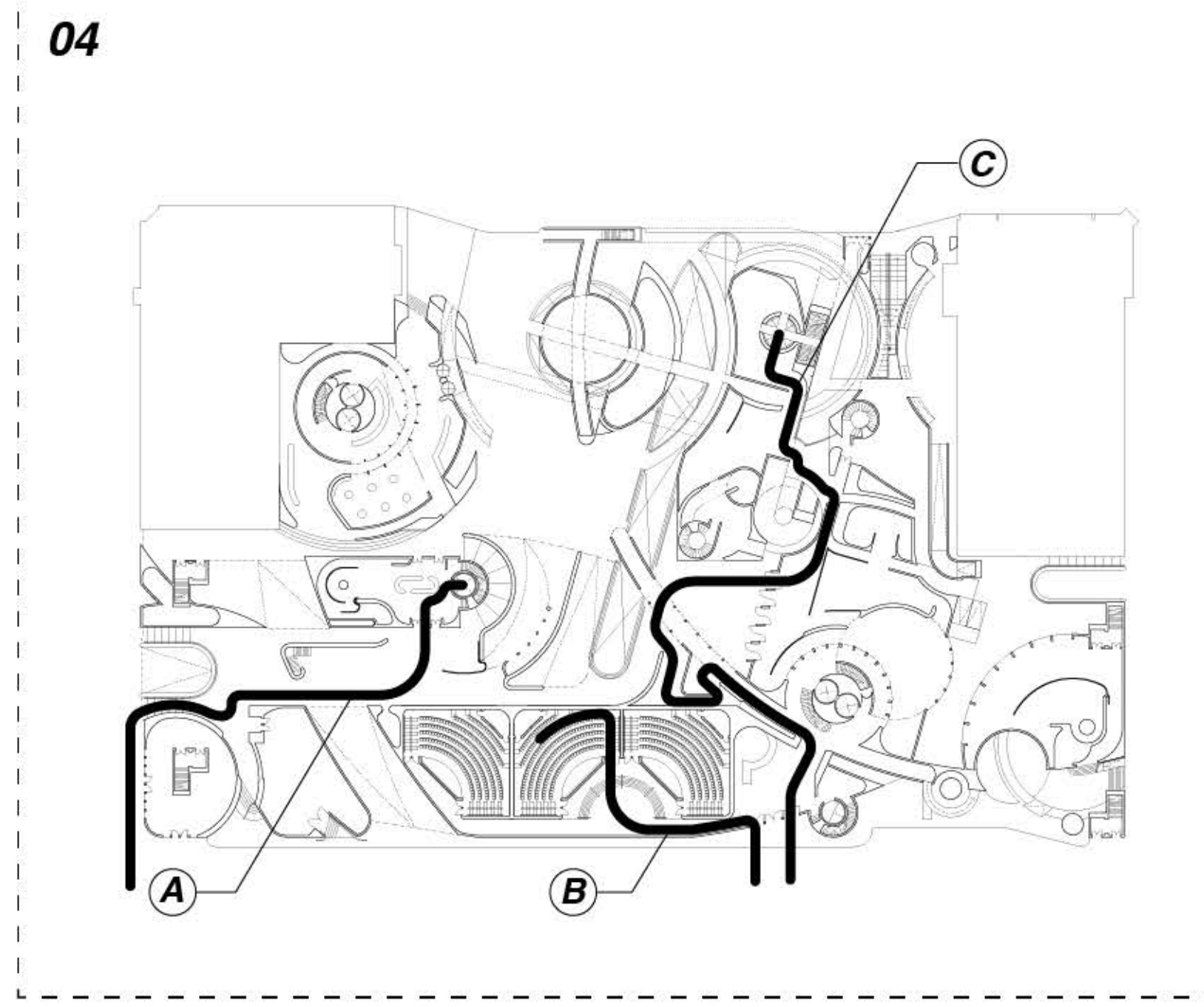
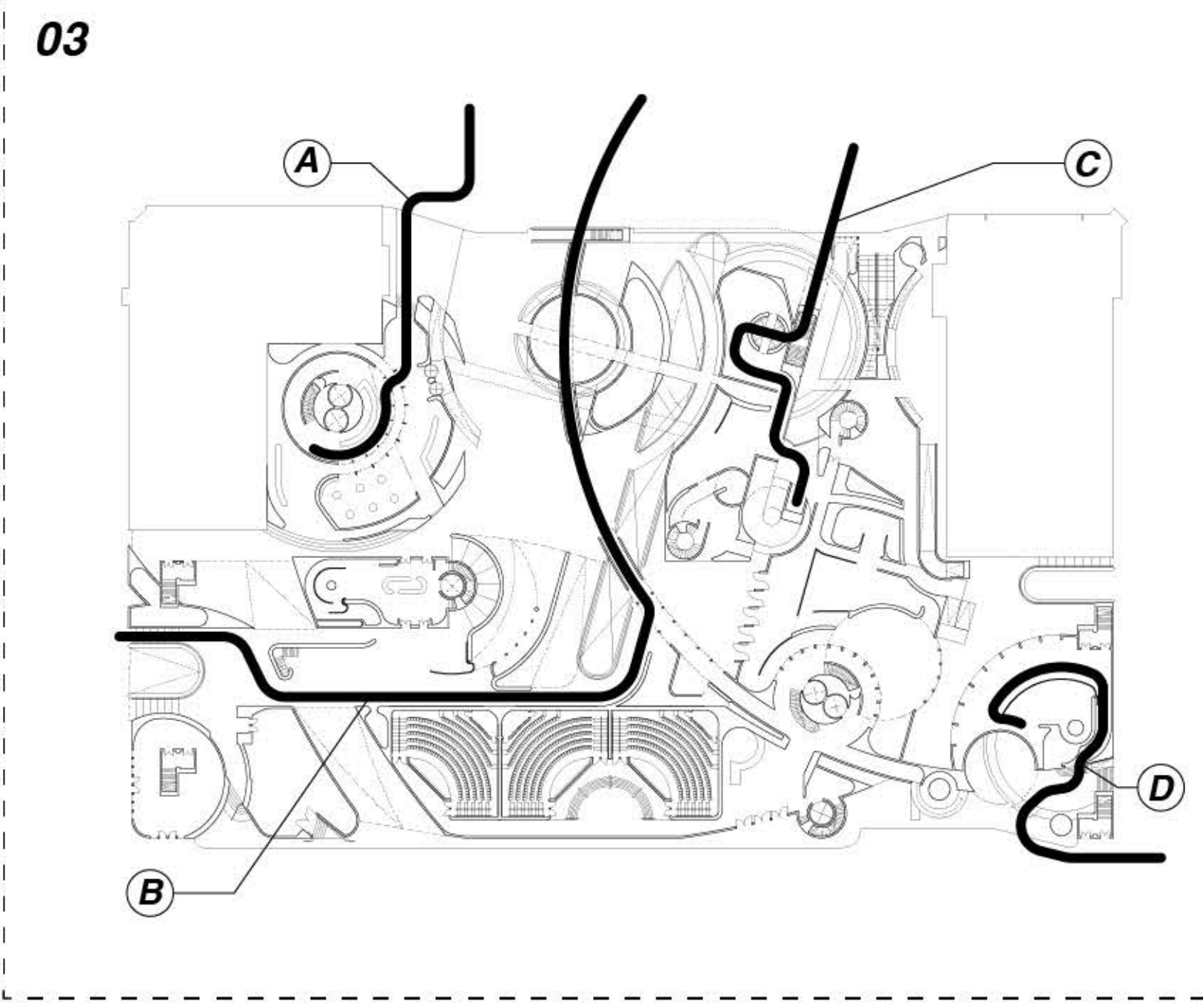
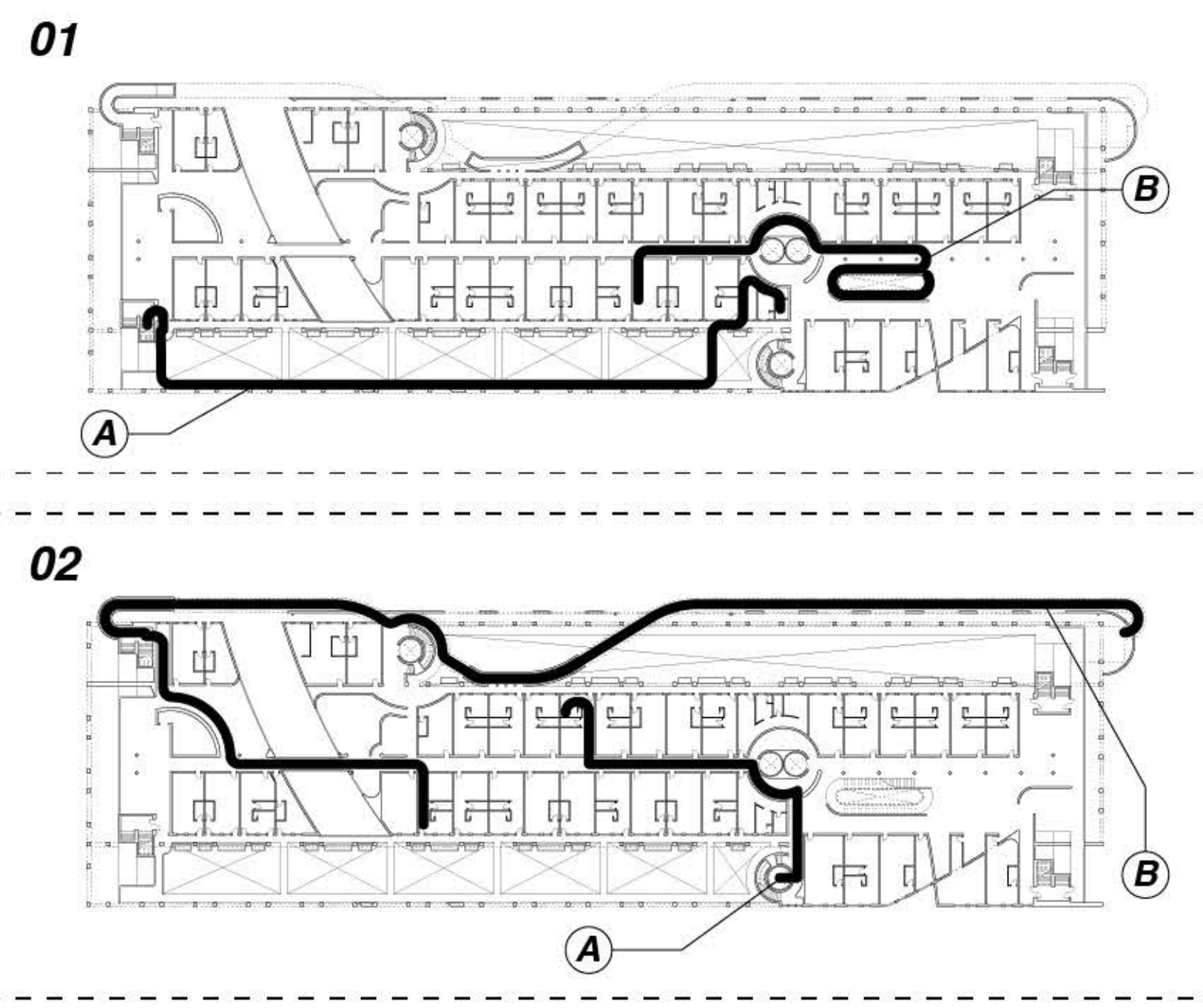


fig. 04

- 01_**
 - 1.1 Exhibition space
 - 1.2 interactive exhibition space
 - 1.3 Lobby
 - 1.4 Rotating spatial installations
 - 1.5 Nine standard movie screens
 - 1.6 One Imax screen
 - 1.7 Flex space and performance hall
 - 1.8 Co-working and shared office space
- 02_**
 - 2.1 Transitional circulation
 - 2.2 Urgent care
 - 2.3 Social services
 - 2.4 Hallway galleries and ongoing interactive exhibitions
 - 2.5 Breezeway/Bridge
- 03_**
 - 3.1 General Retail
 - 3.2 Café
 - 3.3 Restaurant
 - 3.4 Bar and Lounge
 - 3.5 Rooftop park
 - 3.6 Non-Profit oriented office spaces
 - 3.7 Small offices
 - 3.8 Restrooms
- 04_**
 - 4.1 Single rooms (boutique)
 - 4.2 Double rooms (boutique)
 - 4.3 Single rooms (transitory)
 - 4.4 Collective amenities
 - 4.5 Indoor/Outdoor gathering space
 - 4.6 Lobby and café
 - 4.7 Rooftop plaza
- 05_**
 - 5.1 Micro unit housing
 - 5.2 Micro unit common kitchen, dining, living, bath
 - 5.3 Market rate
 - 5.3.0 Studio units
 - 5.3.1 1 BDRM units
 - 5.3.2 2 BDRM units
 - 5.3.3 3 BDRM units
 - 5.4 Fixed-rate
 - 5.4.0 Studio units
 - 5.4.1 1 BDRM units
 - 5.4.2 2 BDRM units
 - 5.4.3 3 BDRM units
 - 5.5 Transitional
 - 5.5.0 Studio units
 - 5.5.1 1 BDRM units
 - 5.5.2 2 BDRM units
 - 5.5.3 3 BDRM units
 - 5.6 Group facilities
 - 5.7 Transitional resources
- 06_**
 - 6.1 Musical Performance space
 - 6.2 Theatre Lobby
 - 6.3 Rigging and staging
 - 6.4 Prop and instrument storage
 - 6.5 Mezzanine
 - 6.6 Wing seating
- 07_**
 - 7.1 Primary residential circulation
 - 7.2 Vertical Circulation
 - 7.3 Collective utilities (clothes drying, gardening)
 - 7.4 Light well/vertical corridor
 - 4.5 Indoor/Outdoor gathering space



- 01_**
- 1.1 Exhibition space
- 1.2 Interactive exhibition space
- 1.3 Lobby
- 1.4 Rotating spatial installations
- 1.5 Nine standard movie screens
- 1.6 One Imax screen and performance hall
- 1.7 Flex space and shared office space
- 1.8 Co-working and shared office space
- 02_**
- 2.1 Transitional circulation
- 2.2 Urgent care
- 2.3 Social services
- 2.4 Hallway galleries and ongoing interactive exhibitions
- 2.5 Brezeway/Bridge
- 03_**
- 3.1 General Retail
- 3.2 Café
- 3.3 Restaurant
- 3.4 Bar and Lounge
- 3.5 Rooftop park
- 3.6 Non-Profit oriented office spaces
- 3.7 Small offices
- 3.8 Restrooms



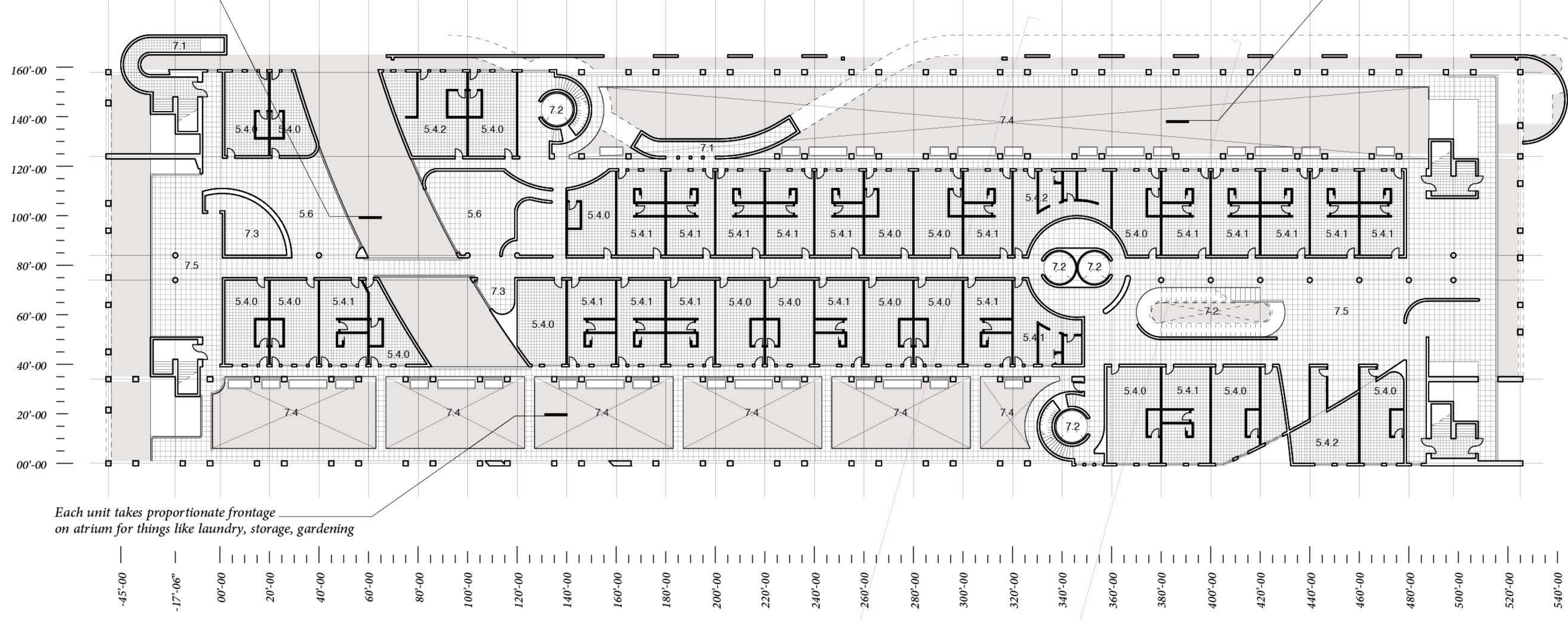
USER PATHS

- A Set of Characters**
- 01**
A: Resident leaves home, bound for downtown
B: Resident leaves home, bound for the metro line
 - 02**
A: Resident returns home hurriedly via West-lake elevator entrance
B: Resident with time to kill takes the stairs and the bridge to the ground floor before a day out in the city
 - 03**
A: Guest in a rush to get to their hotel room arrives by rideshare
B: Local resident on a walk wanders through the breezeways and corridors on their way to the bus stop
C: Shopper arrives by bus, runs a brief errand, and leaves via Metro
D: Resident checks on their mail box before leaving for work
 - 04**
A: Resident with limited mobility checks in with the front desk before taking the elevator home
B: Movie goer skips the concessions in a rush to get a good seat, only to find a pack theatre
C: Shopper arrives via Metro and explores the site before meeting their rideshare

- 04_**
- 4.1 Single rooms (boutique)
- 4.2 Double rooms (boutique)
- 4.3 Single rooms (transitory)
- 4.4 Collective amenities
- 4.5 Indoor/Outdoor gathering space
- 4.6 Lobby and café
- 4.7 Rooftop plaza
- 05_**
- 5.1 Micro unit housing
- 5.2 Micro unit common kitchen, dining, living, bath
- 5.3 Market rate
- 5.3.0 Studio units
- 5.3.1 1 BDRM units
- 5.3.2 2 BDRM units
- 5.3.3 3 BDRM units
- 5.4 Fixed-rate
- 5.4.0 Studio units
- 5.4.1 1 BDRM units
- 5.4.2 2 BDRM units
- 5.4.3 3 BDRM units
- 5.5 Transitional
- 5.5.0 Studio units
- 5.5.1 1 BDRM units
- 5.5.2 2 BDRM units
- 5.5.3 3 BDRM units
- 5.6 Group facilities
- 5.7 Transitional resources
- 06_**
- 6.1 Musical Performance space
- 6.2 Theatre Lobby
- 6.3 Rigging and staging
- 6.4 Prop and instrument storage
- 6.5 Mezzanine
- 6.6 Wing seating
- 07_**
- 7.1 Primary residential circulation
- 7.2 Vertical Circulation
- 7.3 Collective utilities (clothes drying, gardening)
- 7.4 Light well/vertical corridor
- 7.5 Indoor/Outdoor gathering space

Cut in building creates shortens double loaded corridor

Atrium space is analogous to the backyard Residents are encouraged to populate the space with the fervor of the suburban yard



Each unit takes proportionate frontage on atrium for things like laundry, storage, gardening

On Grid @ 20' x 20' in 80' steps
Rotated Grid @ 30' x 0'
Building in site with plaza grid aligned with metro line below
Grid to the bottom of the drawing oriented in accordance with project boundaries.

UPPER FLOOR PLAN

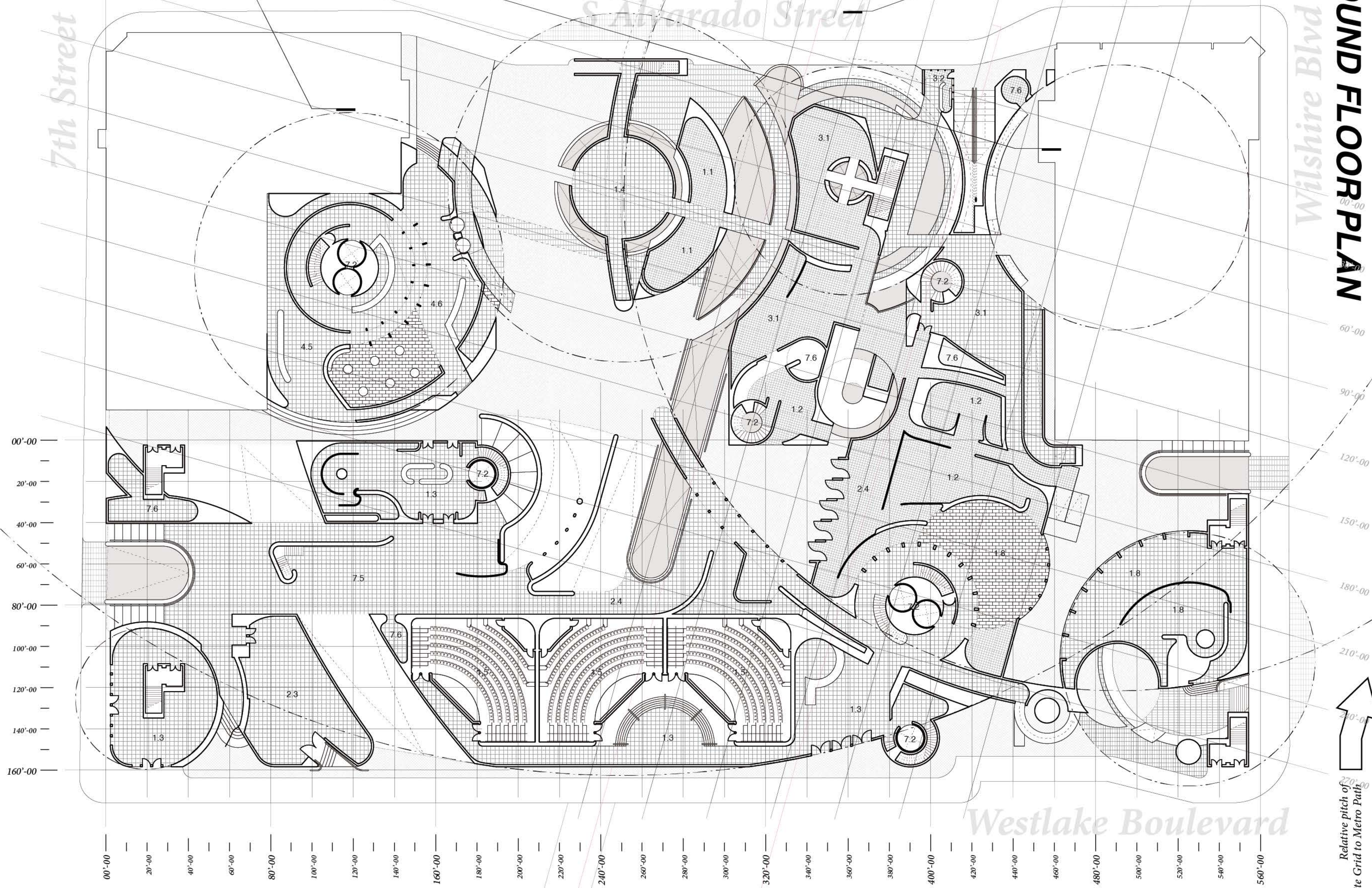
Relative pitch of Site Grid to Metro Path

Existing buildings to remain
after development of site:
Housing over retail

Approximate scope and direction
of LA Metro lines leaving MacArthur
Park/Westlake Station

GROUND FLOOR PLAN

- 01_**
 - 1.1 Exhibition space
 - 1.2 Interactive exhibition space
 - 1.3 Lobby
 - 1.4 Rotating spatial installations
 - 1.5 Nine standard movie screens
 - 1.6 One Imax screen
 - 1.7 Flex space and performance hall
 - 1.8 Co-working and shared office space
- 02_**
 - 2.1 Transitional circulation
 - 2.2 Urgent care
 - 2.3 Social services
 - 2.4 Hallway galleries and ongoing interactive exhibitions
 - 2.5 Breeceway/Bridge
- 03_**
 - 3.1 General Retail
 - 3.2 Café
 - 3.3 Restaurant
 - 3.4 Bar and Lounge
 - 3.5 Rooftop park
 - 3.6 Non-Profit oriented office spaces
 - 3.7 Small offices
 - 3.8 Restrooms
- 04_**
 - 4.1 Single rooms (boutique)
 - 4.2 Double rooms (boutique)
 - 4.3 Single rooms (transitory)
 - 4.4 Collective amenities
 - 4.5 Indoor/Outdoor gathering space
 - 4.6 Lobby and café
 - 4.7 Rooftop plaza
- 05_**
 - 5.1 Micro unit housing
 - 5.2 Micro unit common kitchen, dining, living, bath
 - 5.3 Market rate
 - 5.3.0 Studio units
 - 5.3.1 1 BDRM units
 - 5.3.2 2 BDRM units
 - 5.3.3 3 BDRM units
 - 5.4 Fixed-rate
 - 5.4.0 Studio units
 - 5.4.1 1 BDRM units
 - 5.4.2 2 BDRM units
 - 5.4.3 3 BDRM units
 - 5.5 Transitional
 - 5.5.0 Studio units
 - 5.5.1 1 BDRM units
 - 5.5.2 2 BDRM units
 - 5.5.3 3 BDRM units
 - 5.6 Group facilities
 - 5.7 Transitional resources
- 06_**
 - 6.1 Musical Performance space
 - 6.2 Theatre Lobby
 - 6.3 Rigging and staging
 - 6.4 Prop and instrument storage
 - 6.5 Mezzanine
 - 6.6 Wing seating
- 07_**
 - 7.1 Primary residential circulation
 - 7.2 Vertical Circulation
 - 7.3 Collective utilities (clothes drying, gardening)
 - 7.4 Light well/vertical corridor
 - 7.5 Indoor/Outdoor gathering space
 - 7.6 Mechanical



On Grid @ 20' x 20' in 80' steps
Rotated Grid @ 30' x 0'
Building in site with plaza grid aligned with metro line below
Grid to the bottom of the drawing oriented in accordance with project boundaries.

- 01_**
- 1.1 Exhibition space
- 1.2 Interactive exhibition space
- 1.3 Lobby
- 1.4 Rotating spatial installations
- 1.5 Nine standard movie screens
- 1.6 One Imax screen
- 1.7 Flex space and performance hall
- 1.8 Co-working and shared office space
- 02_**
- 2.1 Transitional circulation
- 2.2 Urgent care
- 2.3 Social services
- 2.4 Hallway galleries and ongoing interactive exhibitions
- 2.5 Breezeway/Bridge
- 03_**
- 3.1 General Retail
- 3.2 Café
- 3.3 Restaurant
- 3.4 Bar and Lounge
- 3.5 Rooftop park
- 3.6 Non-Profit oriented office spaces
- 3.7 Small offices
- 3.8 Restrooms
- 04_**
- 4.1 Single rooms (boutique)
- 4.2 Double rooms (boutique)
- 4.3 Single rooms (transitory)
- 4.4 Collective amenities
- 4.5 Indoor/Outdoor gathering space
- 4.6 Lobby and café
- 4.7 Rooftop plaza
- 05_**
- 5.1 Micro unit housing
- 5.2 Micro unit common kitchen, dining, living, bath
- 5.3 Market rate
- 5.3.0 Studio units
- 5.3.1 1 BDRM units
- 5.3.2 2 BDRM units
- 5.3.3 3 BDRM units
- 5.4 Fixed-rate
- 5.4.0 Studio units
- 5.4.1 1 BDRM units
- 5.4.2 2 BDRM units
- 5.4.3 3 BDRM units
- 5.5 Transitional
- 5.5.0 Studio units
- 5.5.1 1 BDRM units
- 5.5.2 2 BDRM units
- 5.5.3 3 BDRM units
- 5.6 Group facilities
- 5.7 Transitional resources
- 06_**
- 6.1 Musical Performance space
- 6.2 Theatre Lobby
- 6.3 Rigging and staging
- 6.4 Prop and instrument storage
- 6.5 Mezzanine
- 6.6 Wing seating
- 07_**
- 7.1 Primary residential circulation
- 7.2 Vertical Circulation
- 7.3 Collective utilities (clothes drying, gardening)
- 7.4 Light well/Vertical corridor
- 4.5 Indoor/Outdoor gathering space

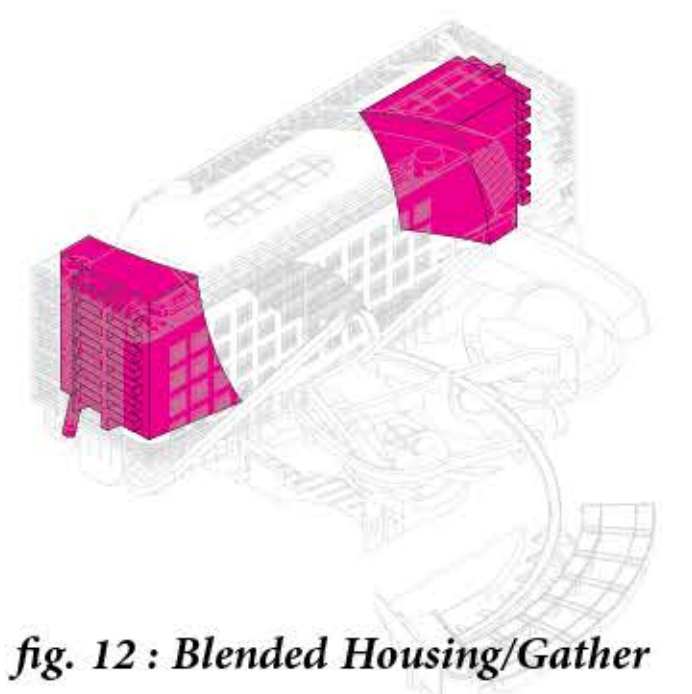
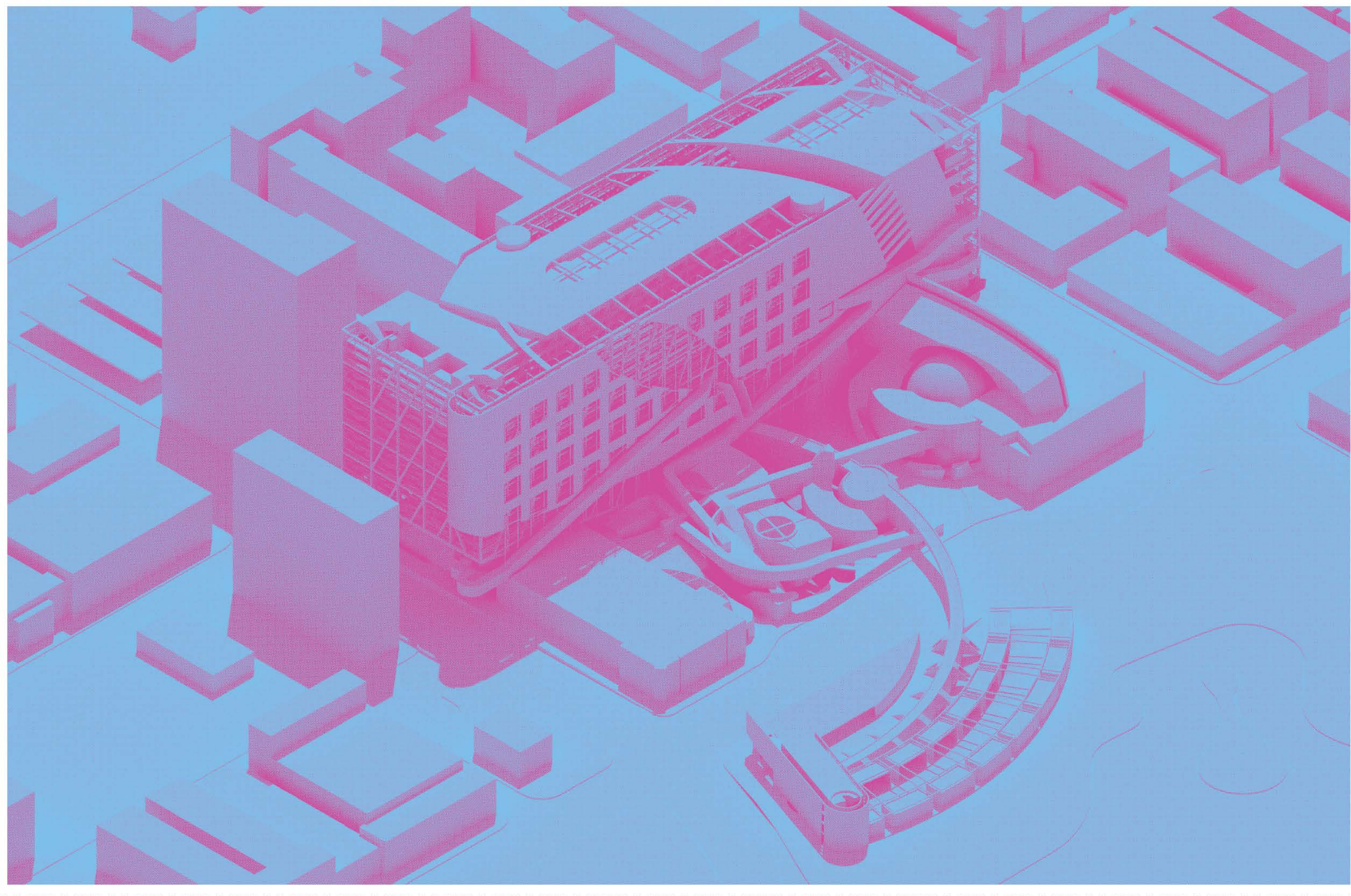


fig. 12 : Blended Housing/Gather

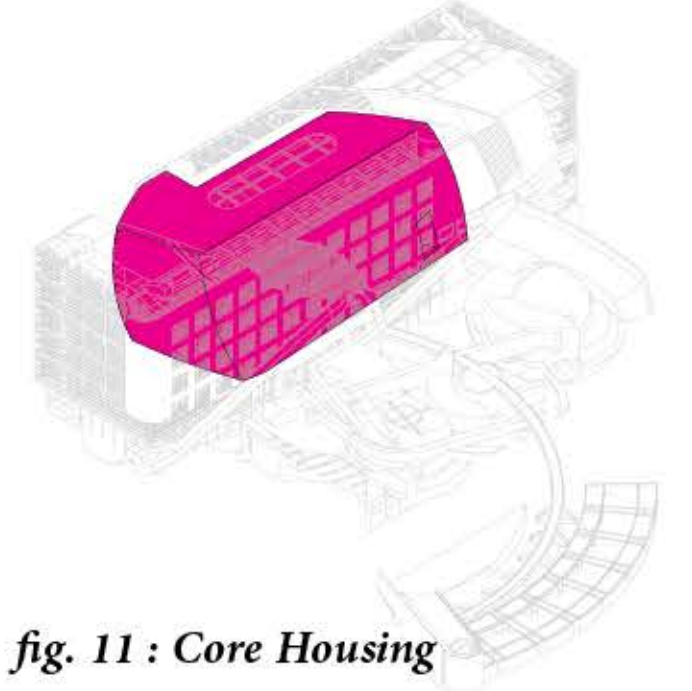


fig. 11 : Core Housing

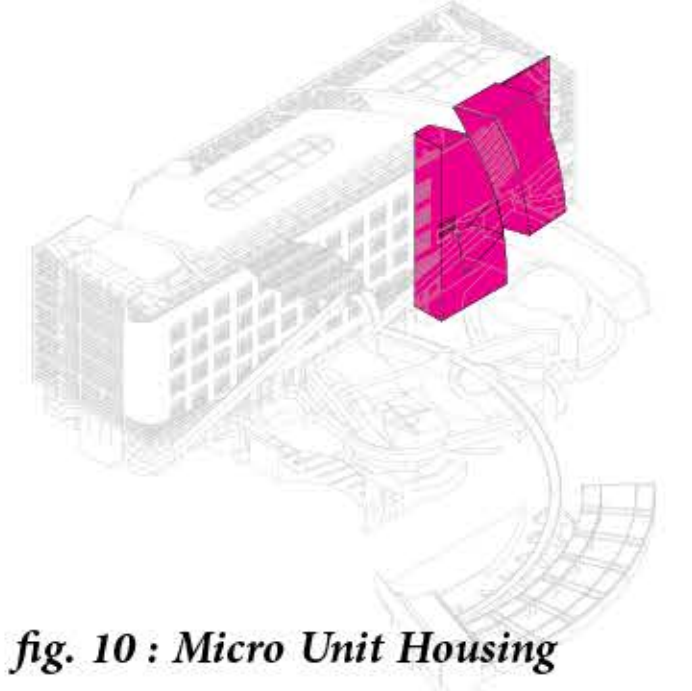


fig. 10 : Micro Unit Housing

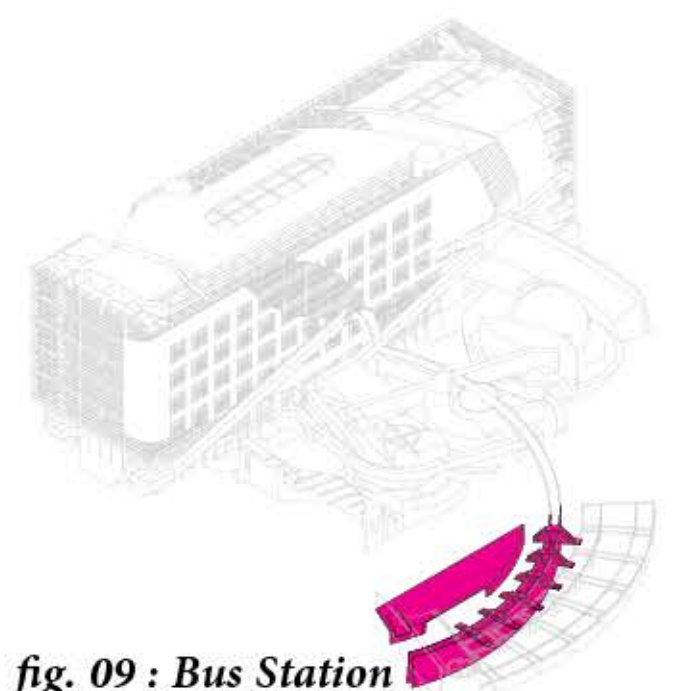


fig. 09 : Bus Station

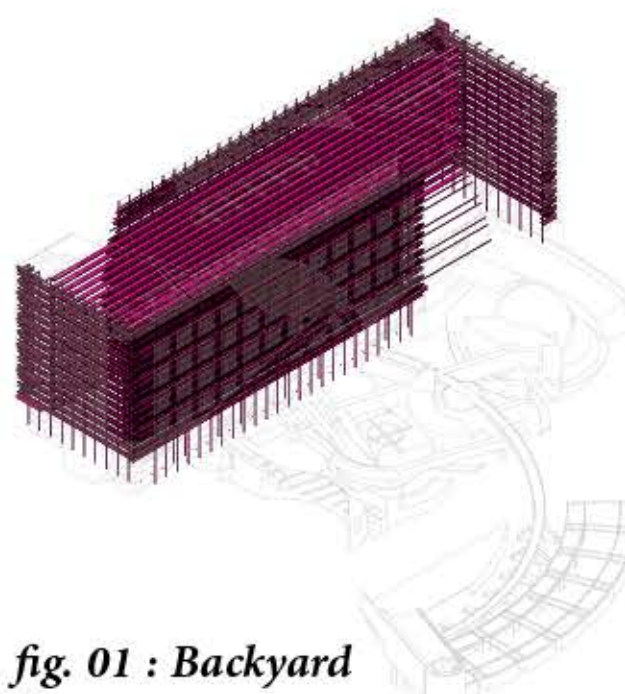


fig. 01 : Backyard

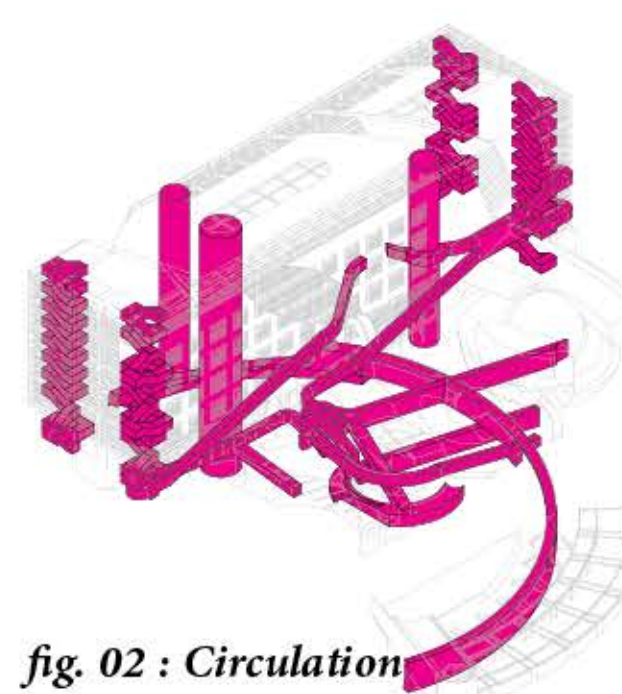


fig. 02 : Circulation

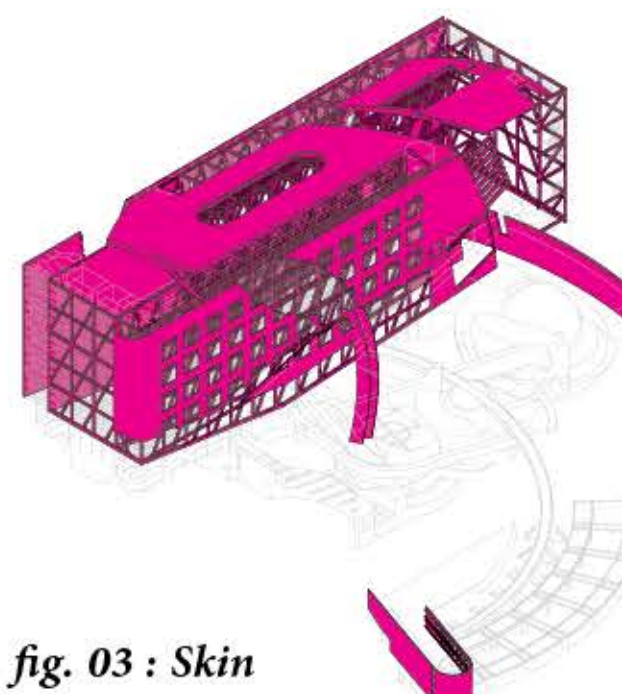


fig. 03 : Skin

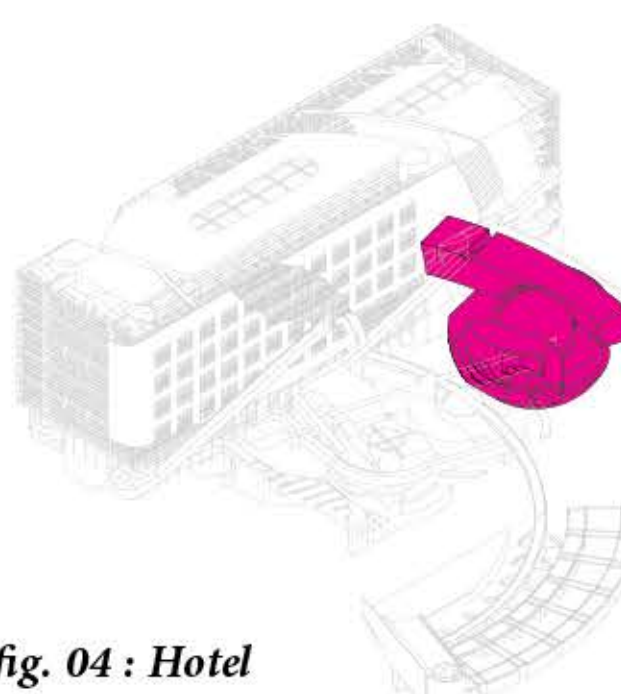


fig. 04 : Hotel

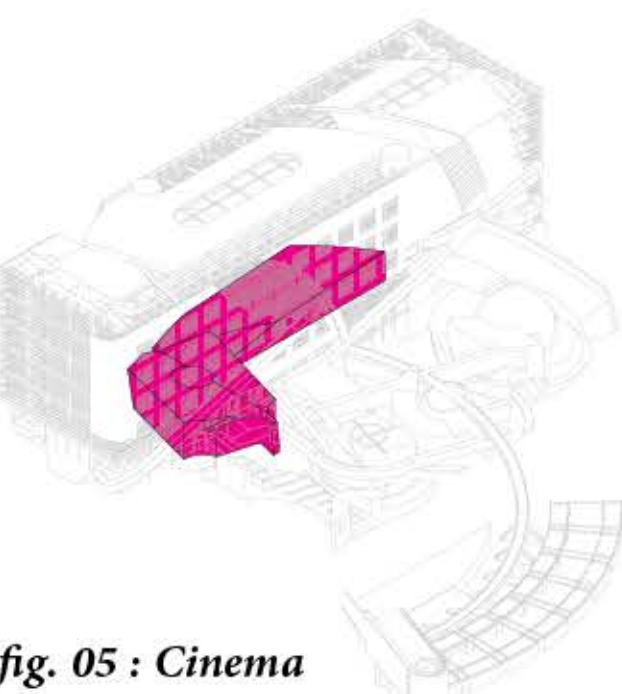


fig. 05 : Cinema

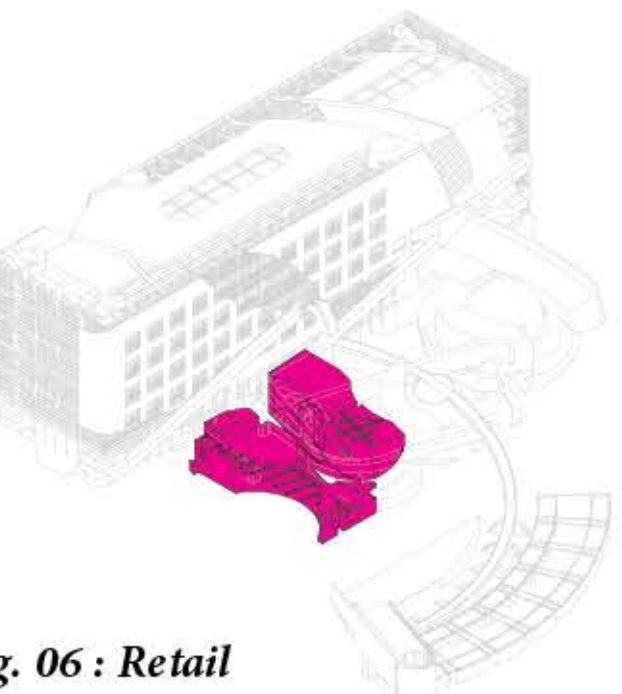


fig. 06 : Retail

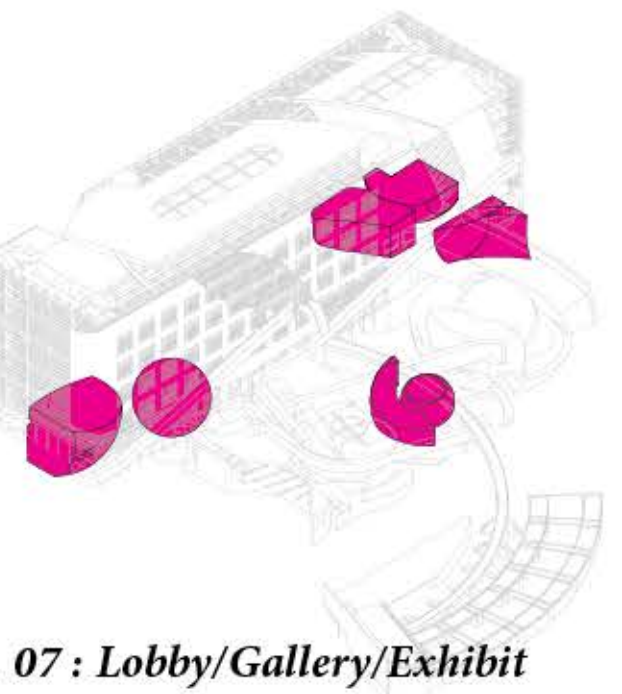


fig. 07 : Lobby/Gallery/Exhibit

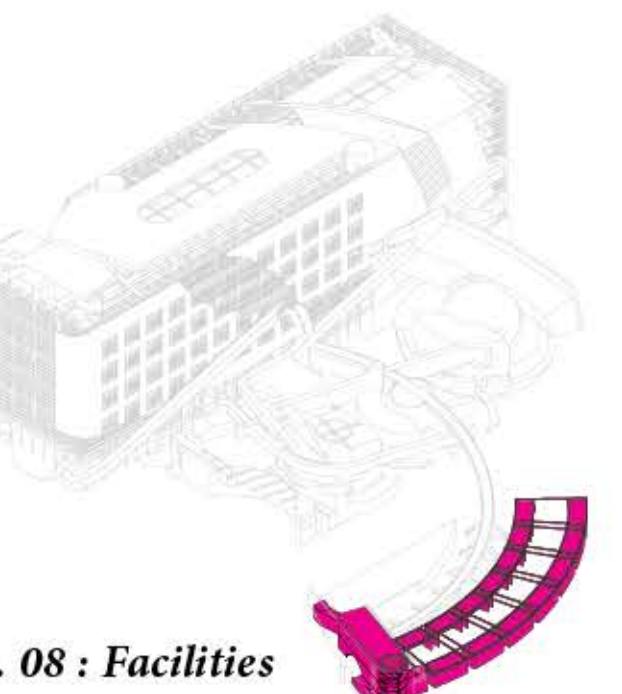


fig. 08 : Facilities

01_

- 1.1 Exhibition space
- 1.2 Interactive exhibition space
- 1.3 Lobby
- 1.4 Rotating spatial installations
- 1.5 Nine standard movie screens
- 1.6 One Imax screen
- 1.7 Flex space and performance hall
- 1.8 Co-working and shared office space

02_

- 2.1 Transitional circulation
- 2.2 Urgent care
- 2.3 Social services
- 2.4 Hallway galleries and ongoing interactive exhibitions
- 2.5 Breezeway/Bridge

03_

- 3.1 General Retail
- 3.2 Café
- 3.3 Restaurant
- 3.4 Bar and Lounge
- 3.5 Rooftop park
- 3.6 Non-Profit oriented office spaces
- 3.7 Small offices
- 3.8 Restrooms



04_

- 4.1 Single rooms (boutique)
- 4.2 Double rooms (boutique)
- 4.3 Single rooms (transitory)
- 4.4 Collective amenities
- 4.5 Indoor/Outdoor gathering space
- 4.6 Lobby and café
- 4.7 Rooftop plaza



05_

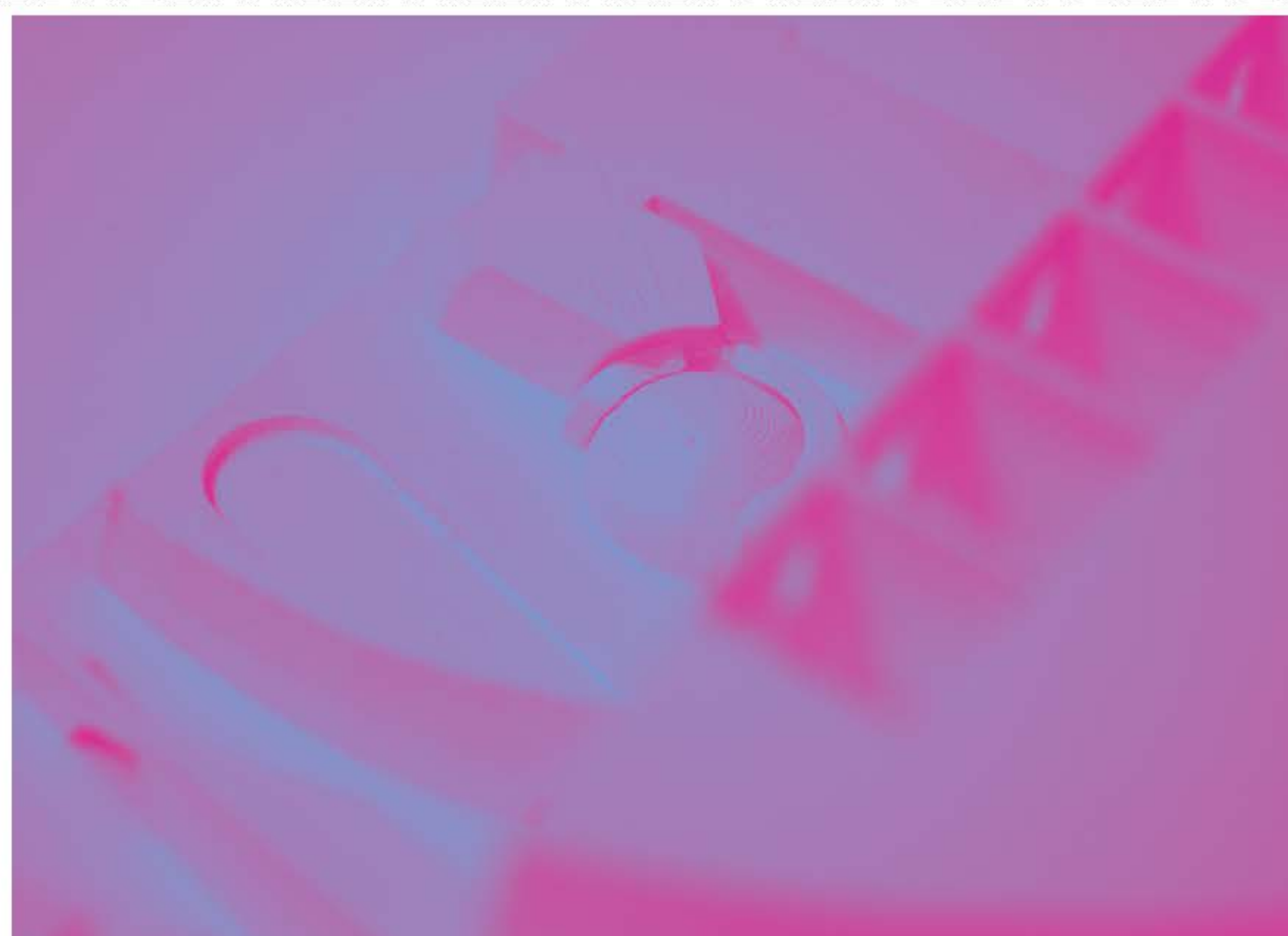
- 5.1 Micro unit housing
- 5.2 Micro unit common kitchen, dining, living, bath
- 5.3 Market rate
- 5.3.0 Studio units
- 5.3.1 1 BDRM units
- 5.3.2 2 BDRM units
- 5.3.3 3 BDRM units
- 5.4 Fixed-rate
- 5.4.0 Studio units
- 5.4.1 1 BDRM units
- 5.4.2 2 BDRM units
- 5.4.3 3 BDRM units
- 5.5 Transitional
- 5.5.0 Studio units
- 5.5.1 1 BDRM units
- 5.5.2 2 BDRM units
- 5.5.3 3 BDRM units
- 5.6 Group facilities
- 5.7 Transitional resources

06_

- 6.1 Musical Performance space
- 6.2 Theatre Lobby
- 6.3 Rigging and staging
- 6.4 Prop and instrument storage
- 6.5 Mezzanine
- 6.6 Wing seating

07_

- 7.1 Primary residential circulation
- 7.2 Vertical Circulation
- 7.3 Collective utilities (clothes drying, gardening)
- 7.4 Light well/Vertical corridor
- 4.5 Indoor/Outdoor gathering space



01_

- 1.1 Exhibition space
- 1.2 Interactive exhibition space
- 1.3 Lobby
- 1.4 Rotating spatial installations
- 1.6 Nine standard movie screens
- 1.6 One Imax screen
- 1.7 Flex space and performance hall
- 1.8 Co-working and shared office space

02_

- 2.1 Transitional circulation
- 2.2 Urgent care
- 2.3 Social services
- 2.4 Hallway galleries and ongoing interactive exhibitions
- 2.5 Breezeway/Bridge

03_

- 3.1 General Retail
- 3.2 Café
- 3.3 Restaurant
- 3.4 Bar and Lounge
- 3.5 Rooftop park
- 3.6 Non-Profit oriented office spaces
- 3.7 Small offices
- 3.8 Restrooms

04_

- 4.1 Single rooms (boutique)
- 4.2 Double rooms (boutique)
- 4.3 Single rooms (transitory)
- 4.4 Collective amenities
- 4.5 Indoor/Outdoor gathering space
- 4.6 Lobby and café
- 4.7 Rooftop plaza

05_

- 5.1 Micro unit housing
- 5.2 Micro unit common kitchen, dining, living, bath
- 5.3 Market rate
- 5.3.0 Studio units
- 5.3.1 1 BDRM units
- 5.3.2 2 BDRM units
- 5.3.3 3 BDRM units
- 5.4 Fixed-rate
- 5.4.0 Studio units
- 5.4.1 1 BDRM units
- 5.4.2 2 BDRM units
- 5.4.3 3 BDRM units
- 5.5 Transitional
- 5.5.0 Studio units
- 5.5.1 1 BDRM units
- 5.5.2 2 BDRM units
- 5.5.3 3 BDRM units
- 5.6 Group facilities
- 5.7 Transitional resources

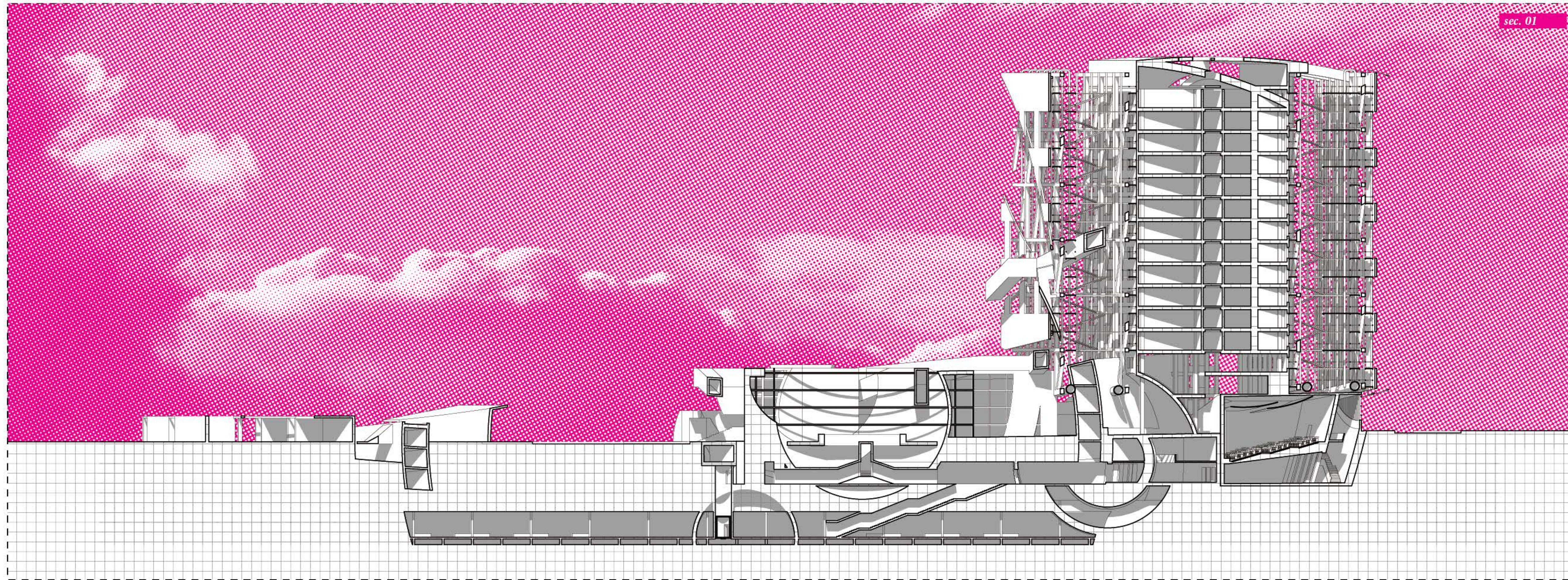
06_

- 6.1 Musical Performance space
- 6.2 Theatre Lobby
- 6.3 Rigging and staging
- 6.4 Prop and instrument storage
- 6.5 Mezzanine
- 6.6 Wing seating

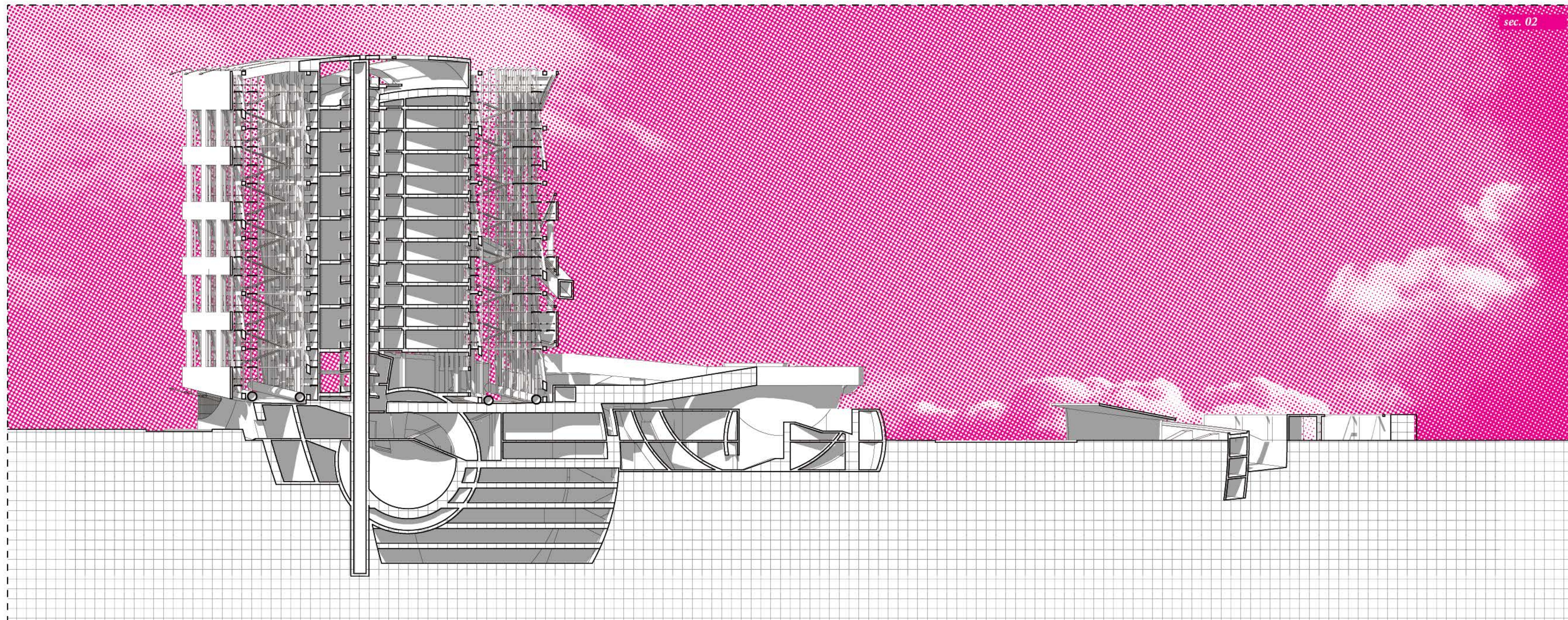
07_

- 7.1 Primary residential circulation
- 7.2 Vertical Circulation
- 7.3 Collective utilities (clothes drying, gardening)
- 7.4 Light well/Vertical corridor
- 7.5 Indoor/Outdoor gathering space
- 7.6 Parking

sec. 01



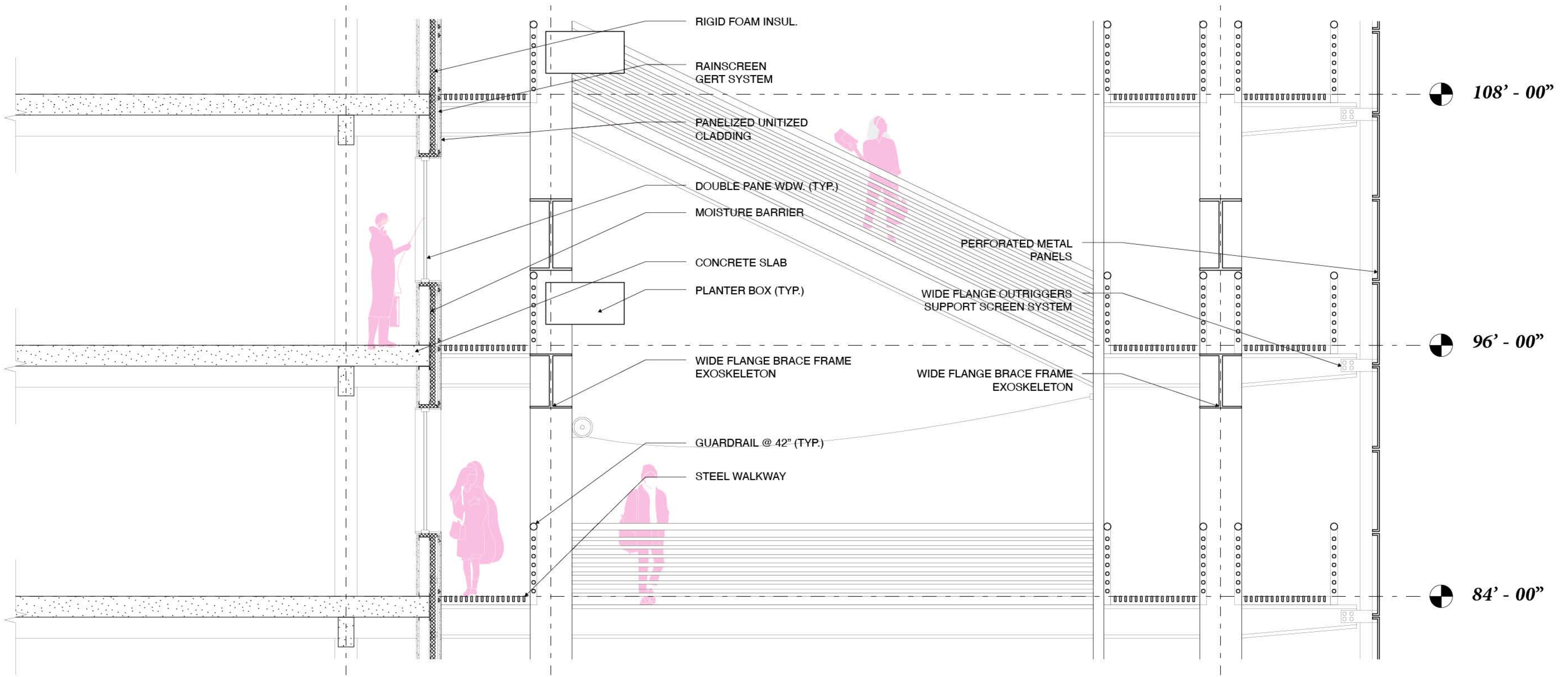
sec. 02



- 01_**
- 1.1 Exhibition space
- 1.2 Interactive exhibition space
- 1.3 Lobby
- 1.4 Rotating spatial installations
- 1.5 Nine standard movie screens
- 1.6 One Imax screen
- 1.7 Flex space and performance hall
- 1.8 Co-working and shared office space
- 02_**
- 2.1 Transitional circulation
- 2.2 Urgent care
- 2.3 Social services
- 2.4 Hallway galleries and ongoing interactive exhibitions
- 2.5 Breezeway/Bridge
- 03_**
- 3.1 General Retail
- 3.2 Café
- 3.3 Restaurant
- 3.4 Bar and Lounge
- 3.5 Rooftop park
- 3.6 Non-Profit oriented office spaces
- 3.7 Small offices
- 3.8 Restrooms



- 04_**
- 4.1 Single rooms (boutique)
- 4.2 Double rooms (boutique)
- 4.3 Single rooms (transitory)
- 4.4 Collective amenities
- 4.5 Indoor/Outdoor gathering space
- 4.6 Lobby and café
- 4.7 Rooftop plaza
- 05_**
- 5.1 Micro unit housing
- 5.2 Micro unit common kitchen, dining, living, bath
- 5.3 Market rate
- 5.3.0 Studio units
- 5.3.1 1 BDRM units
- 5.3.2 2 BDRM units
- 5.3.3 3 BDRM units
- 5.4 Fixed-rate
- 5.4.0 Studio units
- 5.4.1 1 BDRM units
- 5.4.2 2 BDRM units
- 5.4.3 3 BDRM units
- 5.5 Transitional
- 5.5.0 Studio units
- 5.5.1 1 BDRM units
- 5.5.2 2 BDRM units
- 5.5.3 3 BDRM units
- 5.6 Group facilities
- 5.7 Transitional resources
- 06_**
- 6.1 Musical Performance space
- 6.2 Theatre Lobby
- 6.3 Rigging and staging
- 6.4 Prop and instrument storage
- 6.5 Mezzanine
- 6.6 Wing seating
- 07_**
- 7.1 Primary residential circulation
- 7.2 Vertical Circulation
- 7.3 Collective utilities (clothes drying, gardening)
- 7.4 Light well/Vertical corridor
- 4.5 Indoor/Outdoor gathering space



01_

- 1.1 Exhibition space
- 1.2 Interactive exhibition space
- 1.3 Lobby
- 1.4 Rotating spatial installations
- 1.5 Nine standard movie screens
- 1.6 One Imax screen
- 1.7 Flex space and performance hall
- 1.8 Co-working and shared office space

02_

- 2.1 Transitional circulation
- 2.2 Urgent care
- 2.3 Social services
- 2.4 Hallway galleries and ongoing interactive exhibitions
- 2.5 Breezeway/Bridge

03_

- 3.1 General Retail
- 3.2 Café
- 3.3 Restaurant
- 3.4 Bar and Lounge
- 3.5 Rooftop park
- 3.6 Non-Profit oriented office spaces
- 3.7 Small offices
- 3.8 Restrooms

04_

- 4.1 Single rooms (boutique)
- 4.2 Double rooms (boutique)
- 4.3 Single rooms (transitory)
- 4.4 Collective amenities
- 4.5 Indoor/Outdoor gathering space
- 4.6 Lobby and café
- 4.7 Rooftop plaza

05_

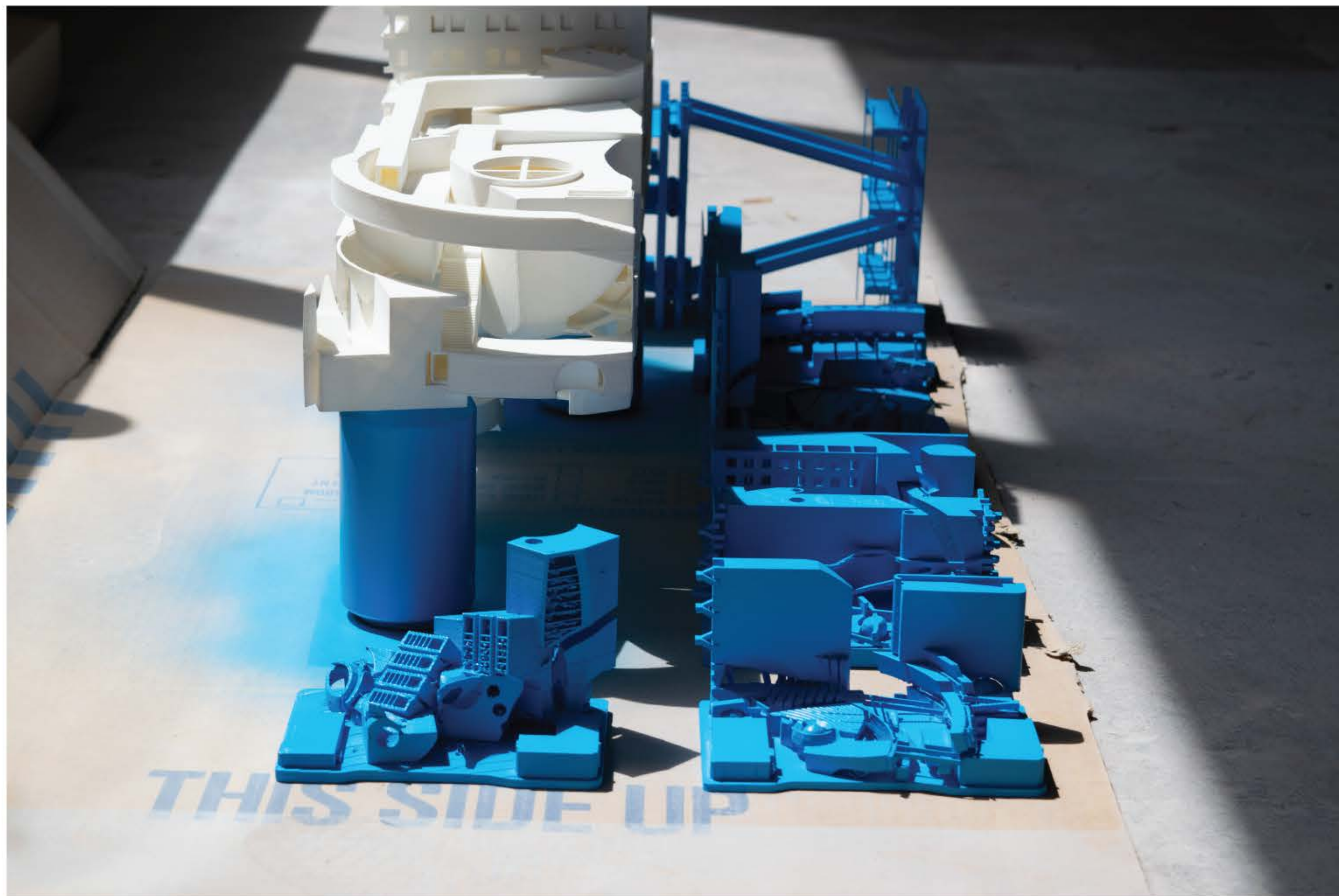
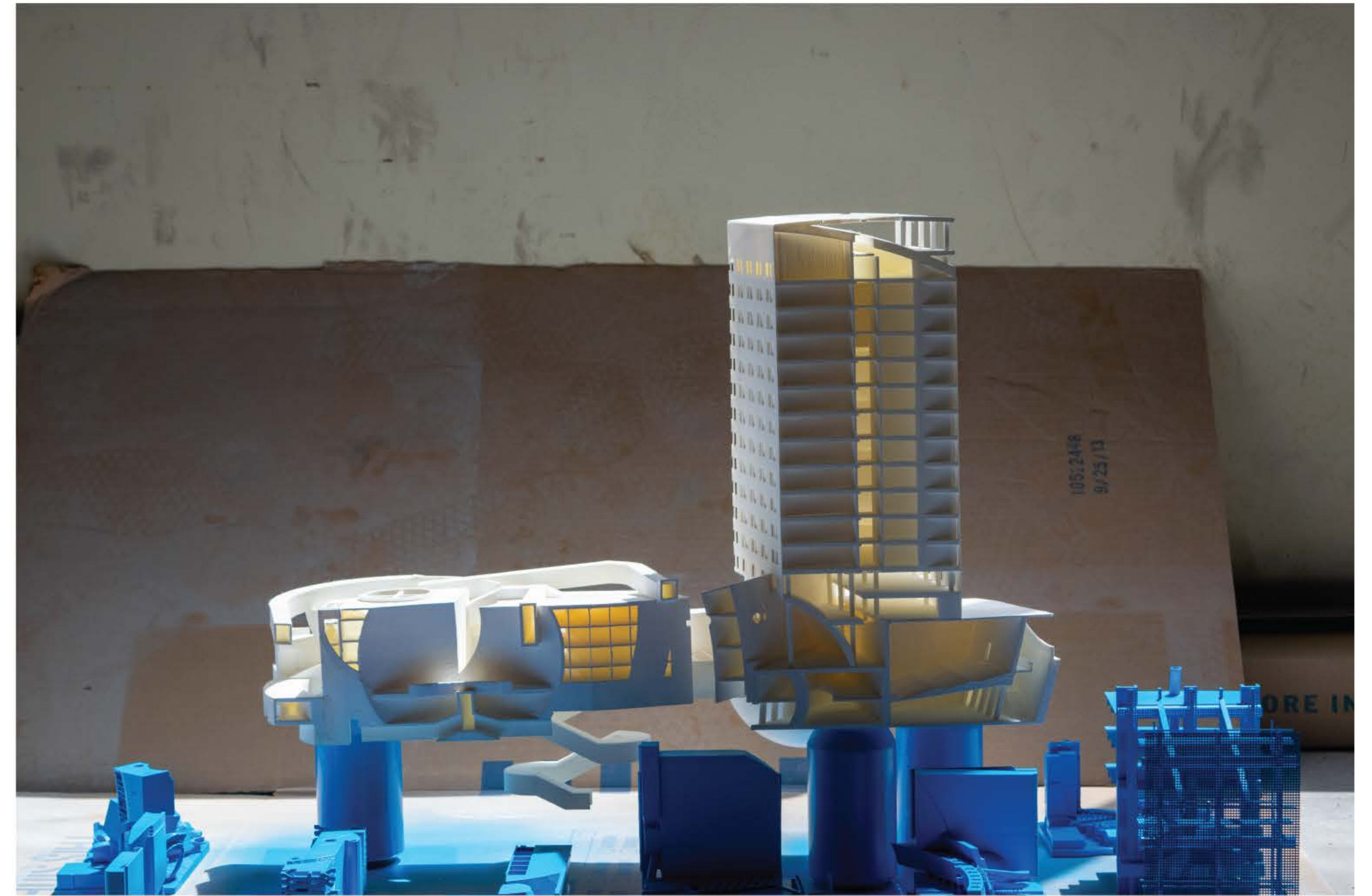
- 5.1 Micro unit housing
- 5.2 Micro unit common kitchen, dining, living, bath
- 5.3 Market rate
- 5.3.0 Studio units
- 5.3.1 1 BDRM units
- 5.3.2 2 BDRM units
- 5.3.3 3 BDRM units
- 5.4 Fixed-rate
- 5.4.0 Studio units
- 5.4.1 1 BDRM units
- 5.4.2 2 BDRM units
- 5.4.3 3 BDRM units
- 5.5 Transitional
- 5.5.0 Studio units
- 5.5.1 1 BDRM units
- 5.5.2 2 BDRM units
- 5.5.3 3 BDRM units
- 5.6 Group facilities
- 5.7 Transitional resources

06_

- 6.1 Musical Performance space
- 6.2 Theatre Lobby
- 6.3 Rigging and staging
- 6.4 Prop and instrument storage
- 6.5 Mezzanine
- 6.6 Wing seating

07_

- 7.1 Primary residential circulation
- 7.2 Vertical Circulation
- 7.3 Collective utilities (clothes drying, gardening)
- 7.4 Light well/Vertical corridor
- 4.5 Indoor/Outdoor gathering space



01_

- 1.1 Exhibition space
- 1.2 Interactive exhibition space
- 1.3 Lobby
- 1.4 Rotating spatial installations
- 1.5 Nine standard movie screens
- 1.6 One Imax screen
- 1.7 Flex space and performance hall
- 1.8 Co-working and shared office space

02_

- 2.1 Transitional circulation
- 2.2 Urgent care
- 2.3 Social services
- 2.4 Hallway galleries and ongoing interactive exhibitions
- 2.5 Breezeway/Bridge

03_

- 3.1 General Retail
- 3.2 Café
- 3.3 Restaurant
- 3.4 Bar and Lounge
- 3.5 Rooftop park
- 3.6 Non-Profit oriented office spaces
- 3.7 Small offices
- 3.8 Restrooms

04_

- 4.1 Single rooms (boutique)
- 4.2 Double rooms (boutique)
- 4.3 Single rooms (transitory)
- 4.4 Collective amenities
- 4.5 Indoor/Outdoor gathering space
- 4.6 Lobby and café
- 4.7 Rooftop plaza

05_

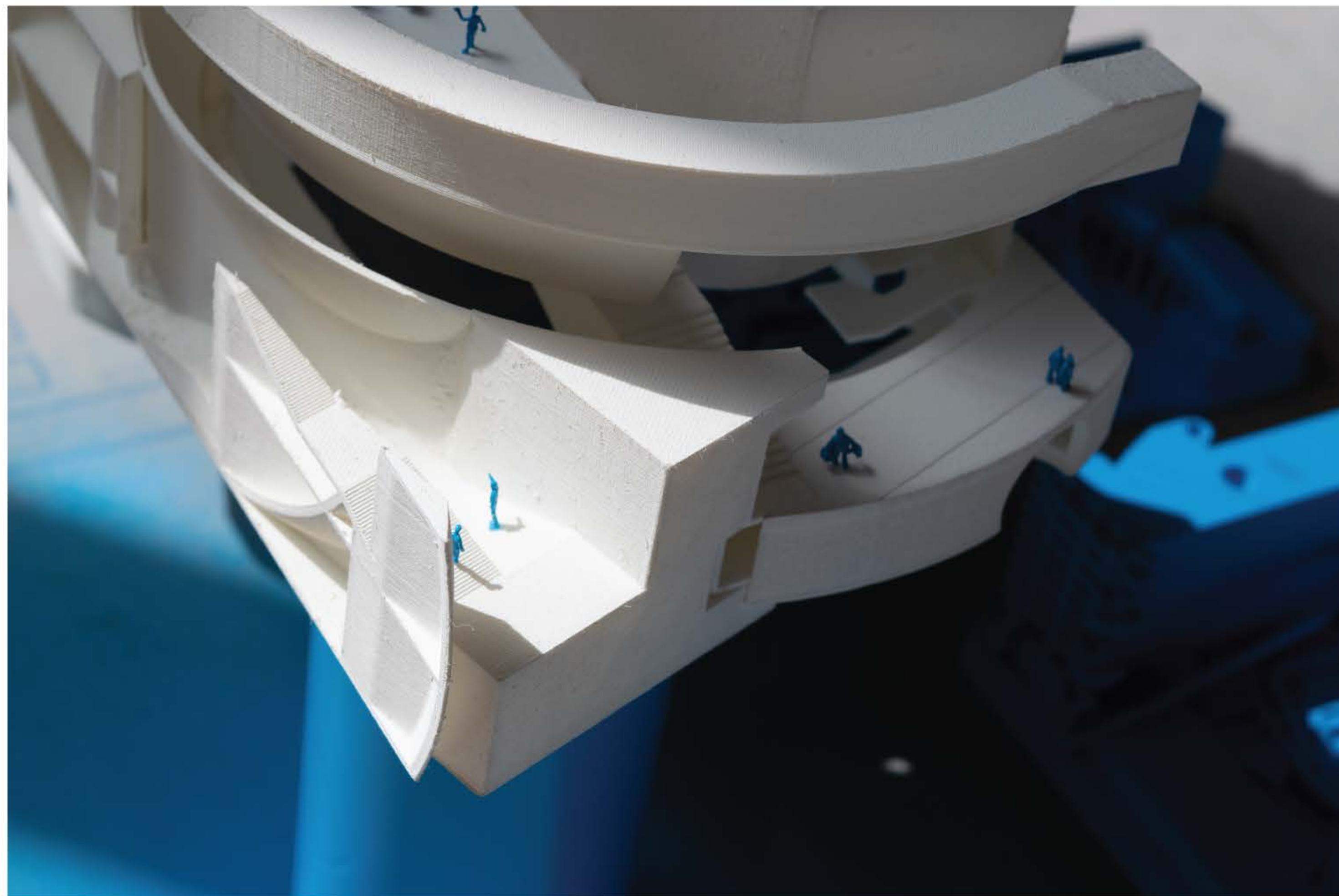
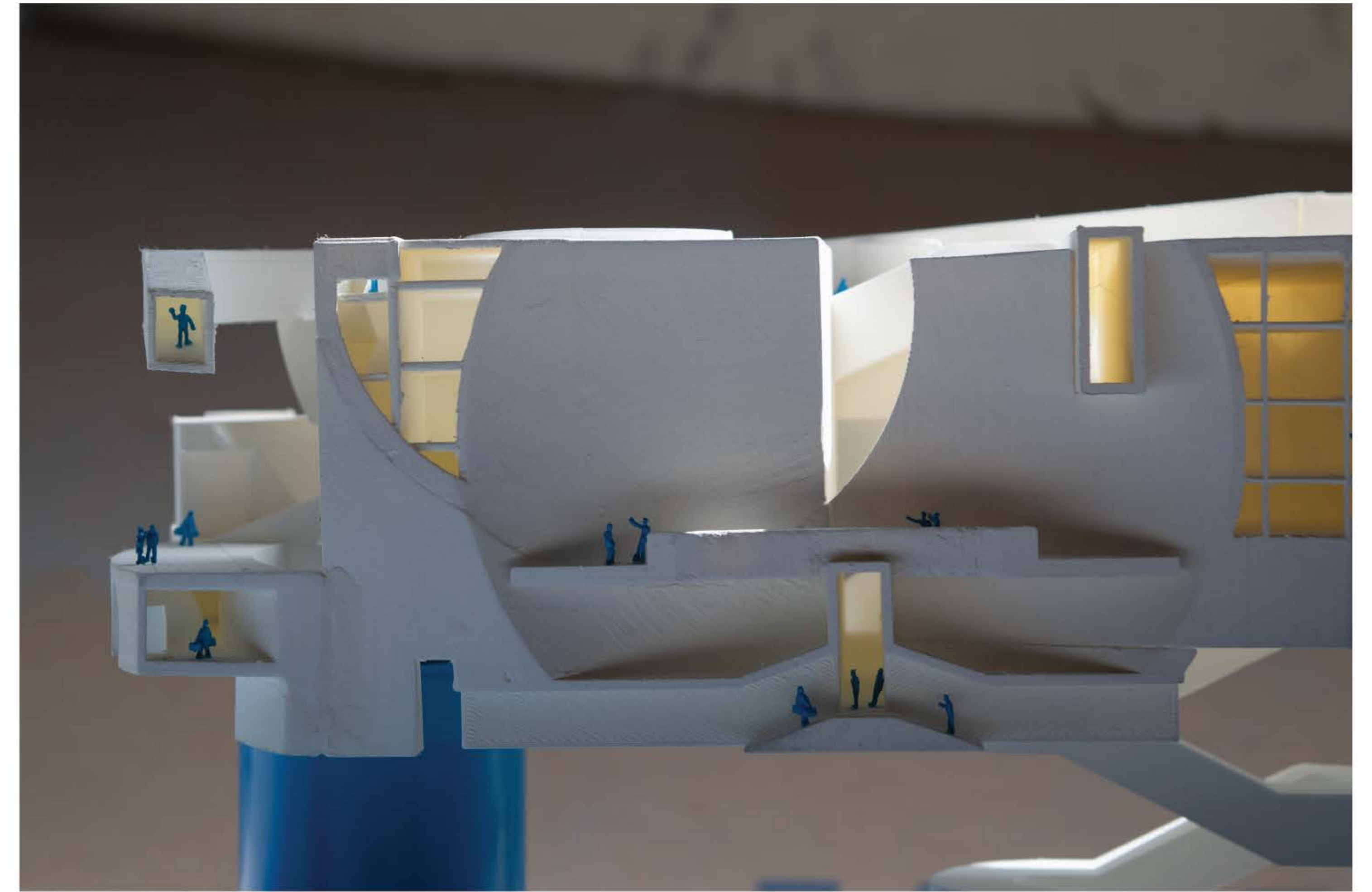
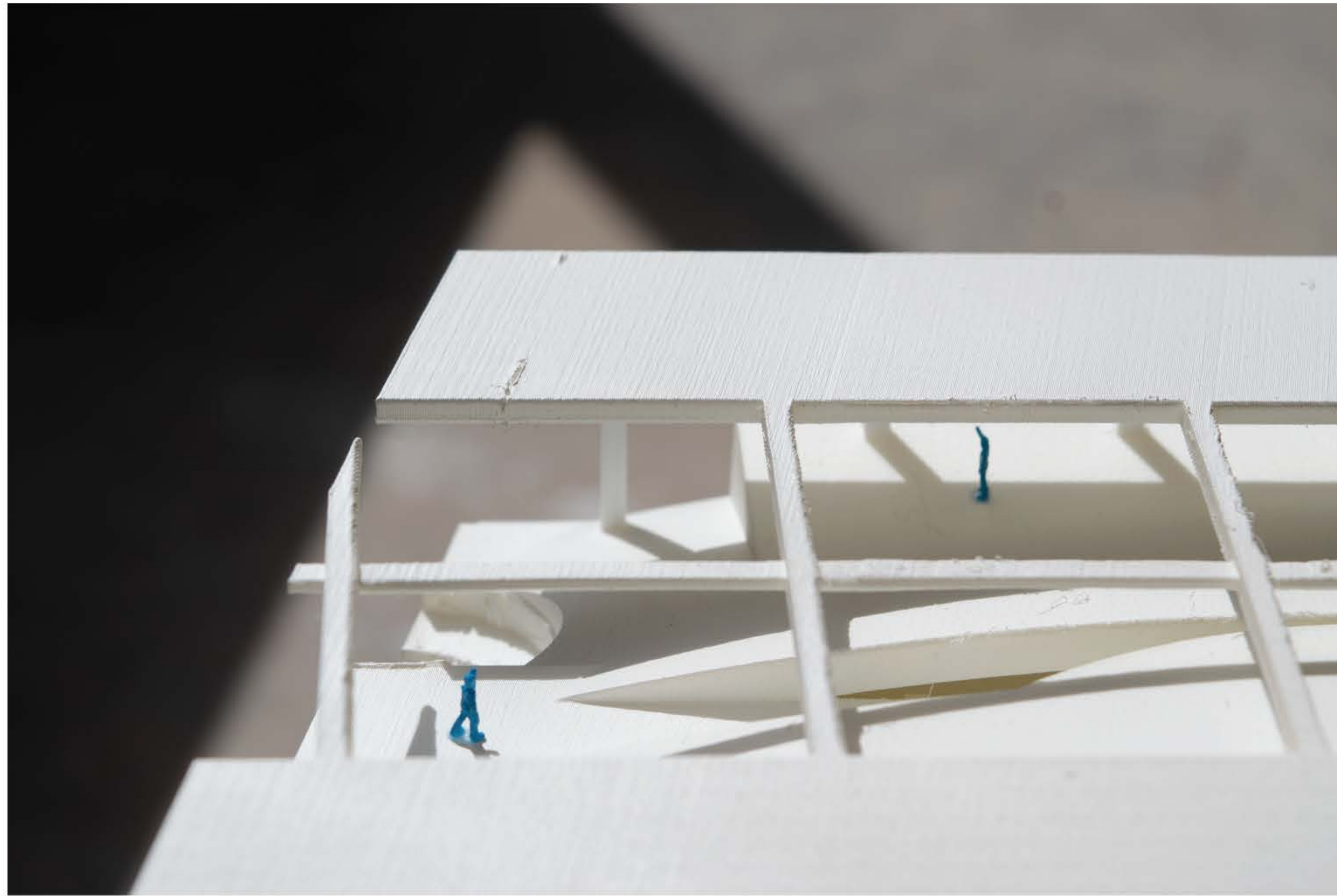
- 5.1 Micro unit housing
- 5.2 Micro unit common kitchen, dining, living, bath
- 5.3 Market rate
- 5.3.0 Studio units
- 5.3.1 1 BDRM units
- 5.3.2 2 BDRM units
- 5.3.3 3 BDRM units
- 5.4 Fixed-rate
- 5.4.0 Studio units
- 5.4.1 1 BDRM units
- 5.4.2 2 BDRM units
- 5.4.3 3 BDRM units
- 5.5 Transitional
- 5.5.0 Studio units
- 5.5.1 1 BDRM units
- 5.5.2 2 BDRM units
- 5.5.3 3 BDRM units
- 5.6 Group facilities
- 5.7 Transitional resources

06_

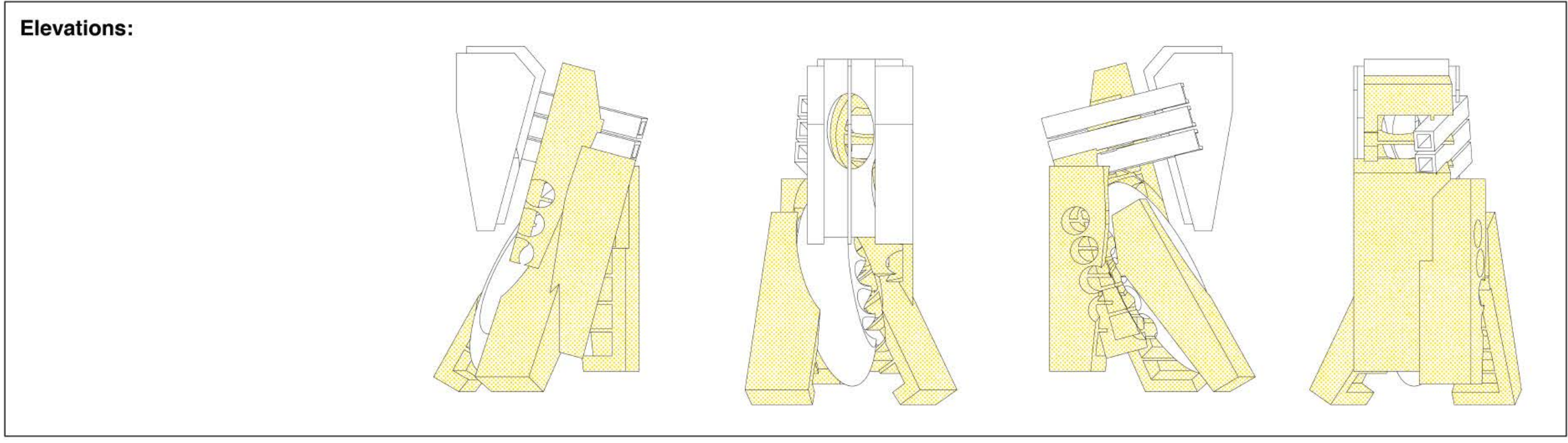
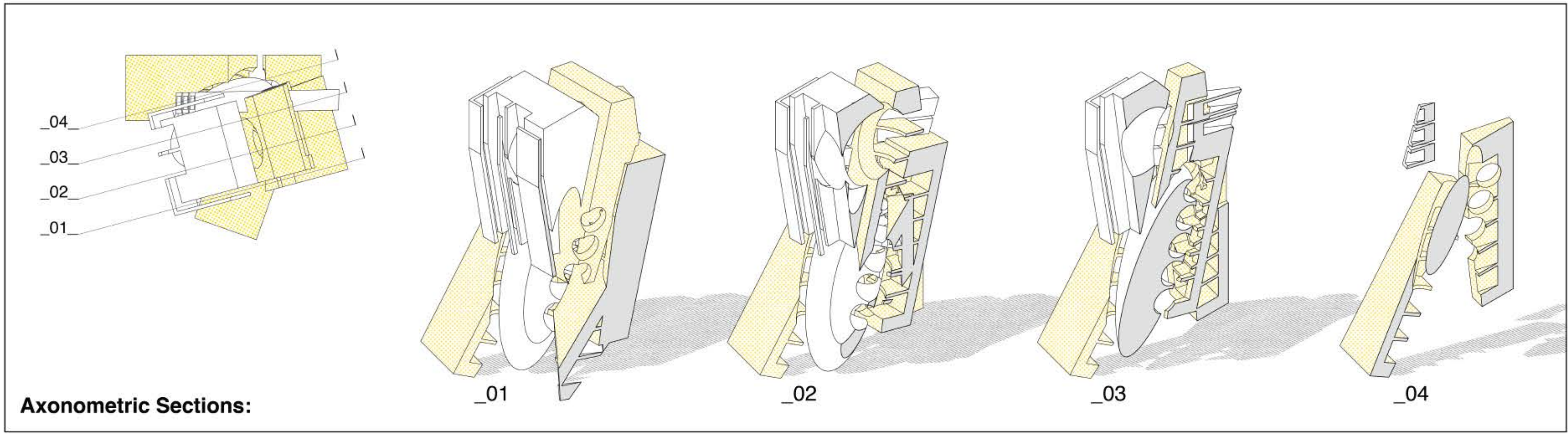
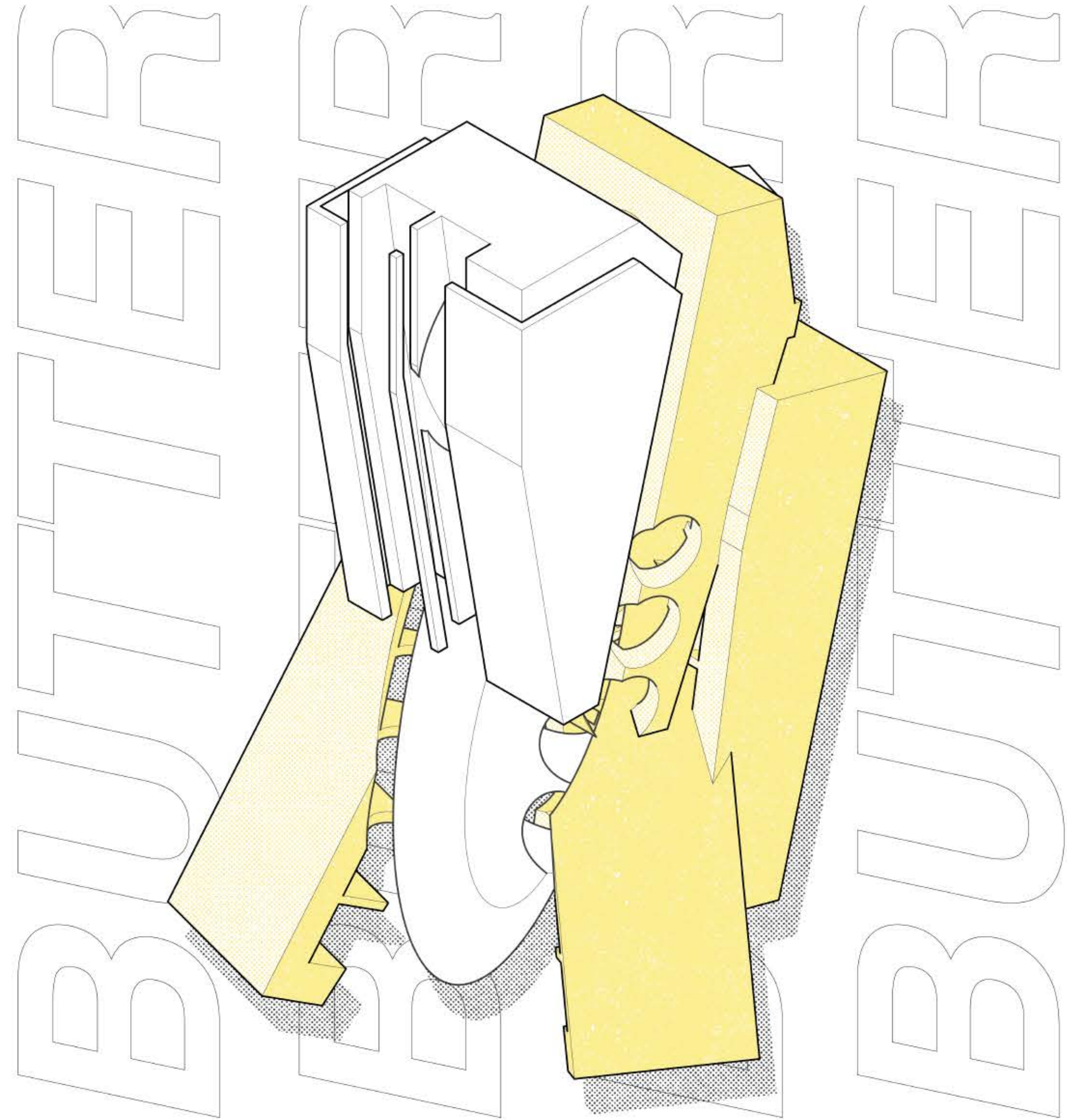
- 6.1 Musical Performance space
- 6.2 Theatre Lobby
- 6.3 Rigging and staging
- 6.4 Prop and instrument storage
- 6.5 Mezzanine
- 6.6 Wing seating

07_

- 7.1 Primary residential circulation
- 7.2 Vertical Circulation
- 7.3 Collective utilities (clothes drying, gardening)
- 7.4 Light well/Vertical corridor
- 4.5 Indoor/Outdoor gathering space



- 01_**
- 1.1 Exhibition space
- 1.2 Interactive exhibition space
- 1.3 Lobby
- 1.4 Rotating spatial installations
- 1.5 Nine standard movie screens
- 1.6 One Imax screen
- 1.7 Flex space and performance hall
- 1.8 Co-working and shared office space
- 02_**
- 2.1 Transitional circulation
- 2.2 Urgent care
- 2.3 Social services
- 2.4 Hallway galleries and ongoing interactive exhibitions
- 2.5 Breezeway/Bridge
- 03_**
- 3.1 General Retail
- 3.2 Café
- 3.3 Restaurant
- 3.4 Bar and Lounge
- 3.5 Rooftop park
- 3.6 Non-Profit oriented office spaces
- 3.7 Small offices
- 3.8 Restrooms
- 04_**
- 4.1 Single rooms (boutique)
- 4.2 Double rooms (boutique)
- 4.3 Single rooms (transitory)
- 4.4 Collective amenities
- 4.5 Indoor/Outdoor gathering space
- 4.6 Lobby and café
- 4.7 Rooftop plaza
- 05_**
- 5.1 Micro unit housing
- 5.2 Micro unit common kitchen, dining, living, bath
- 5.3 Market rate
- 5.3.0 Studio units
- 5.3.1 1 BDRM units
- 5.3.2 2 BDRM units
- 5.3.3 3 BDRM units
- 5.4 Fixed-rate
- 5.4.0 Studio units
- 5.4.1 1 BDRM units
- 5.4.2 2 BDRM units
- 5.4.3 3 BDRM units
- 5.5 Transitional
- 5.5.0 Studio units
- 5.5.1 1 BDRM units
- 5.5.2 2 BDRM units
- 5.5.3 3 BDRM units
- 5.6 Group facilities
- 5.7 transitional resources
- 06_**
- 6.1 Musical Performance space
- 6.2 Theatre Lobby
- 6.3 Rigging and staging
- 6.4 Prop and instrument storage
- 6.5 Mezzanine
- 6.6 Wing seating
- 07_**
- 7.1 Primary residential circulation
- 7.2 Vertical Circulation
- 7.3 Collective utilities (clothes drying, gardening)
- 7.4 Light well/vertical corridor
- 4.5 Indoor/Outdoor gathering space



Nutrition Facts
The whole stick of butter (228 g)

Serving size
Amount per serving
Calories 01.09.2022
% Daily Value*

THERE IS NO NUTRITION

THERE ARE NO FACTS

Microwave Instructions:

.00 It's just a stick of Butter

.01 Cut with a dull knife. (forgot to warm it up)

.02 Microwave (melt the f inside-out)

.03 Make another cut

.04 Pull (up)

.05 Rotate (twice)

.06 Add Egg

.07 Shrink Egg

.08 Add straws (Five of them)

.09 Grate in some cheese

.10 Boolean Egg

.11

01_

- 1.1 Exhibition space
- 1.2 Interactive exhibition space
- 1.3 Lobby
- 1.4 Rotating spatial installations
- 1.5 Nine standard movie screens
- 1.6 One Imax screen
- 1.7 Flex space and performance hall
- 1.8 Co-working and shared office space

02_

- 2.1 Transitional circulation
- 2.2 Urgent care
- 2.3 Social services
- 2.4 Hallway galleries and ongoing interactive exhibitions
- 2.5 Breezeway/Bridge

03_

- 3.1 General Retail
- 3.2 Café
- 3.3 Restaurant
- 3.4 Bar and Lounge
- 3.5 Rooftop park
- 3.6 Non-Profit oriented office spaces
- 3.7 Small offices
- 3.8 Restrooms

04_

- 4.1 Single rooms (boutique)
- 4.2 Double rooms (boutique)
- 4.3 Single rooms (transitory)
- 4.4 Collective amenities
- 4.5 Indoor/Outdoor gathering space
- 4.6 Lobby and café
- 4.7 Rooftop plaza

05_

- 5.1 Micro unit housing
- 5.2 Micro unit common kitchen, dining, living, bath
- 5.3 Market rate
- 5.3.0 Studio units
- 5.3.1 1 BDRM units
- 5.3.2 2 BDRM units
- 5.3.3 3 BDRM units
- 5.4 Fixed-rate
- 5.4.0 Studio units
- 5.4.1 1 BDRM units
- 5.4.2 2 BDRM units
- 5.4.3 3 BDRM units
- 5.5 Transitional
- 5.5.0 Studio units
- 5.5.1 1 BDRM units
- 5.5.2 2 BDRM units
- 5.5.3 3 BDRM units
- 5.6 Group facilities
- 5.7 Transitional resources

06_

- 6.1 Musical Performance space
- 6.2 Theatre Lobby
- 6.3 Rigging and staging
- 6.4 Prop and instrument storage
- 6.5 Mezzanine
- 6.6 Wing seating

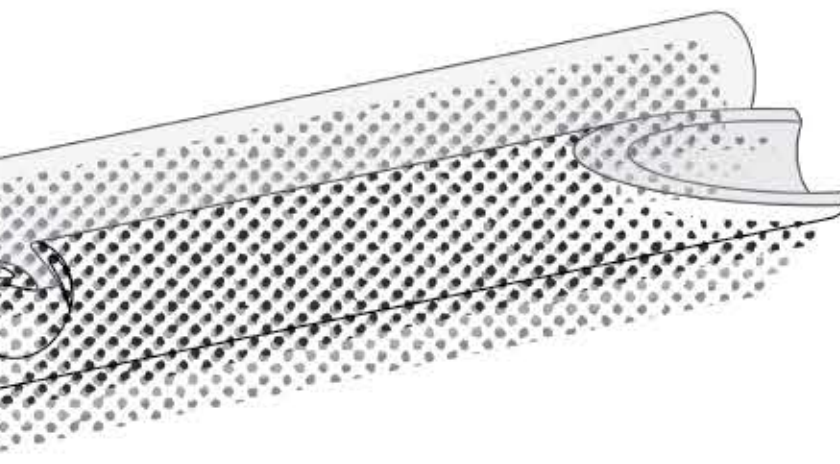
07_

- 7.1 Primary residential circulation
- 7.2 Vertical Circulation
- 7.3 Collective utilities (clothes drying, gardening)
- 7.4 Light well/vertical corridor
- 4.5 Indoor/Outdoor gathering space

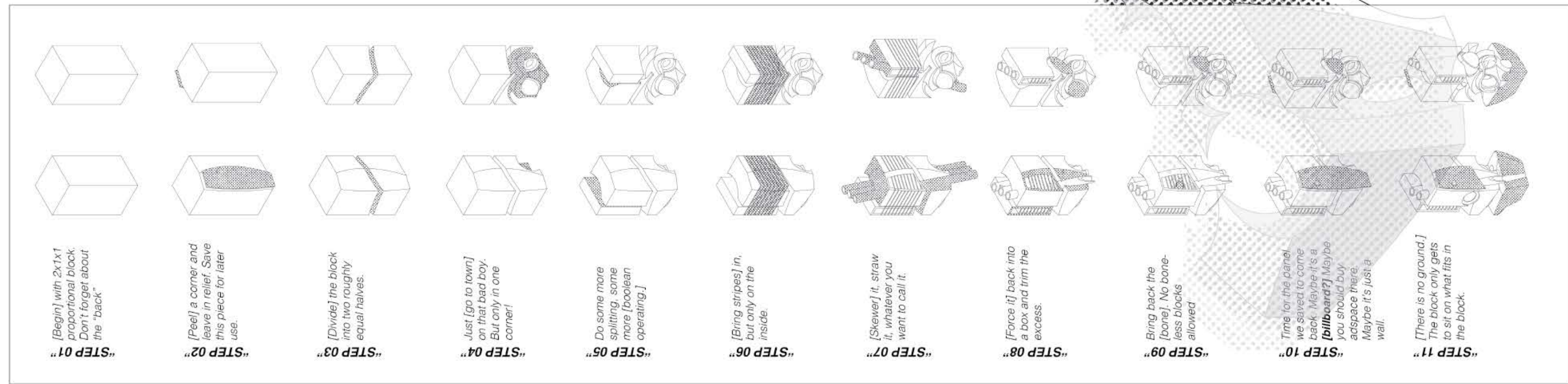
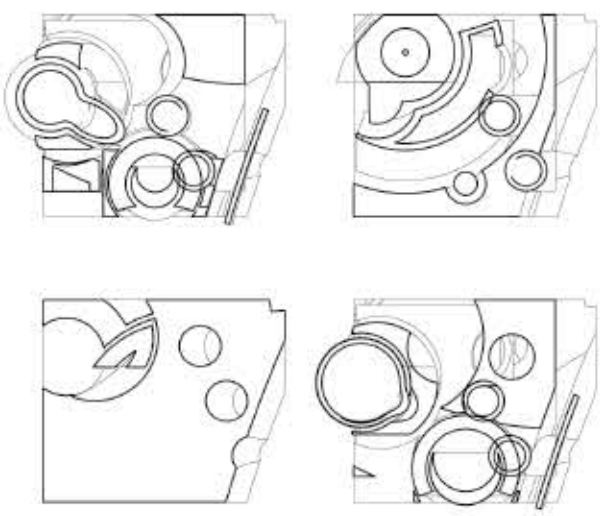


"Something that I found in my neighbor's back yard"

Emmet Holton_02.02.2022
LA Metro_2022
"Dissimulation" [assign 01]

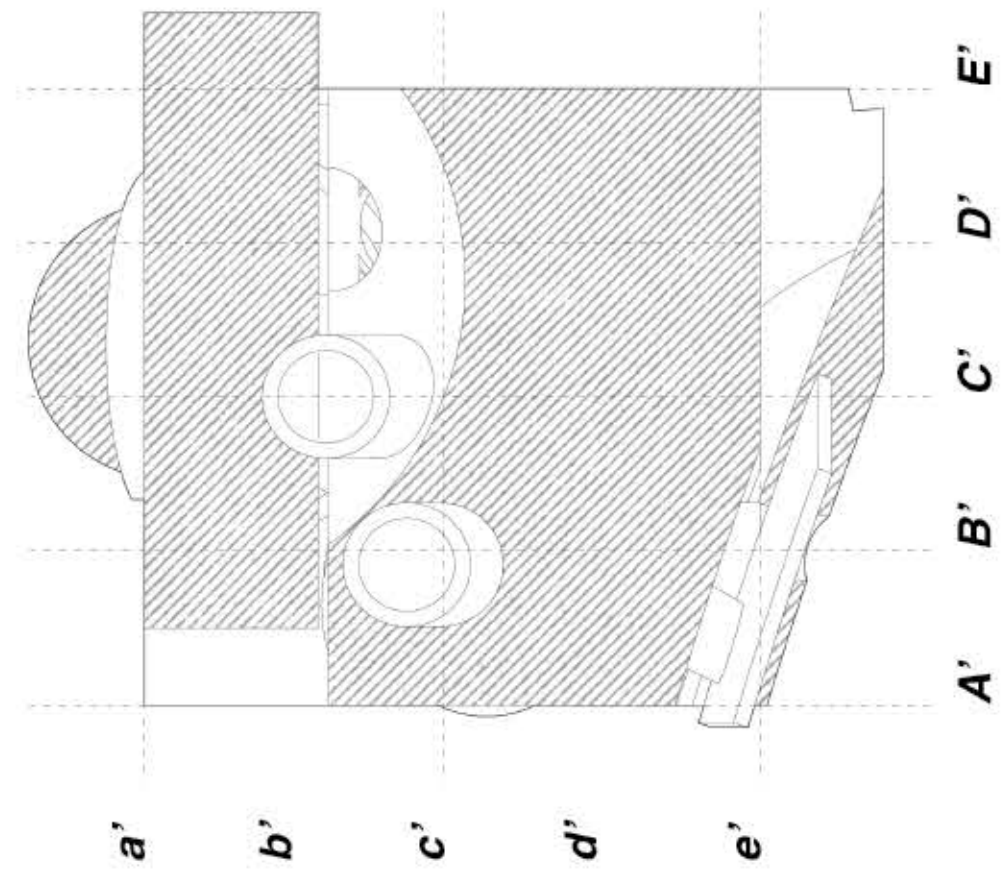
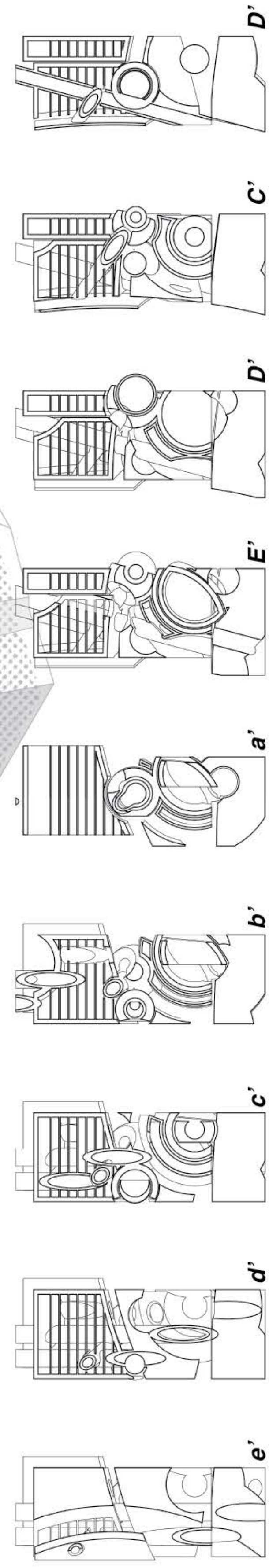


4 PLANS (horizontal sections)



"exploded axonometric"
45 degree axonometric from perspective
line work, half tone, shading, etc.

Dissimulated object



01

45 degree axonometric
hidden lines, visible curves, scene silhouette

02

135 degree axonometric
hidden lines, visible curves, scene silhouette

03

225 degree axonometric
hidden lines, visible curves, scene silhouette

04

315 degree axonometric
hidden lines, visible curves, scene silhouette

01_

- 1.1 Exhibition space
- 1.2 Interactive exhibition space
- 1.3 Lobby
- 1.4 Rotating spatial installations
- 1.5 Nine standard movie screens
- 1.6 One Imax screen
- 1.7 Flex space and performance hall
- 1.8 Co-working and shared office space

02_

- 2.1 Transitional circulation
- 2.2 Urgent care
- 2.3 Social services
- 2.4 Hallway galleries and ongoing interactive exhibitions
- 2.5 Breezeway/Bridge

03_

- 3.1 General Retail
- 3.2 Café
- 3.3 Restaurant
- 3.4 Bar and Lounge
- 3.5 Rooftop park
- 3.6 Non-Profit oriented office spaces
- 3.7 Small offices
- 3.8 Restrooms

04_

- 4.1 Single rooms (boutique)
- 4.2 Double rooms (boutique)
- 4.3 Single rooms (transitory)
- 4.4 Collective amenities
- 4.5 Indoor/Outdoor gathering space
- 4.6 Lobby and café
- 4.7 Rooftop plaza

05_

- 5.1 Micro unit housing
- 5.2 Micro unit common kitchen, dining, living, bath
- 5.3 Market rate
- 5.3.0 Studio units
- 5.3.1 1 BDRM units
- 5.3.2 2 BDRM units
- 5.3.3 3 BDRM units
- 5.4 Fixed-rate
- 5.4.0 Studio units
- 5.4.1 1 BDRM units
- 5.4.2 2 BDRM units
- 5.4.3 3 BDRM units
- 5.5 Transitional
- 5.5.0 Studio units
- 5.5.1 1 BDRM units
- 5.5.2 2 BDRM units
- 5.5.3 3 BDRM units
- 5.6 Group facilities
- 5.7 Transitional resources

06_

- 6.1 Musical Performance space
- 6.2 Theatre Lobby
- 6.3 Rigging and staging
- 6.4 Prop and instrument storage
- 6.5 Mezzanine
- 6.6 Wing seating

07_

- 7.1 Primary residential circulation
- 7.2 Vertical Circulation
- 7.3 Collective utilities (clothes drying, gardening)
- 7.4 Light well/Vertical corridor
- 4.5 Indoor/Outdoor gathering space

